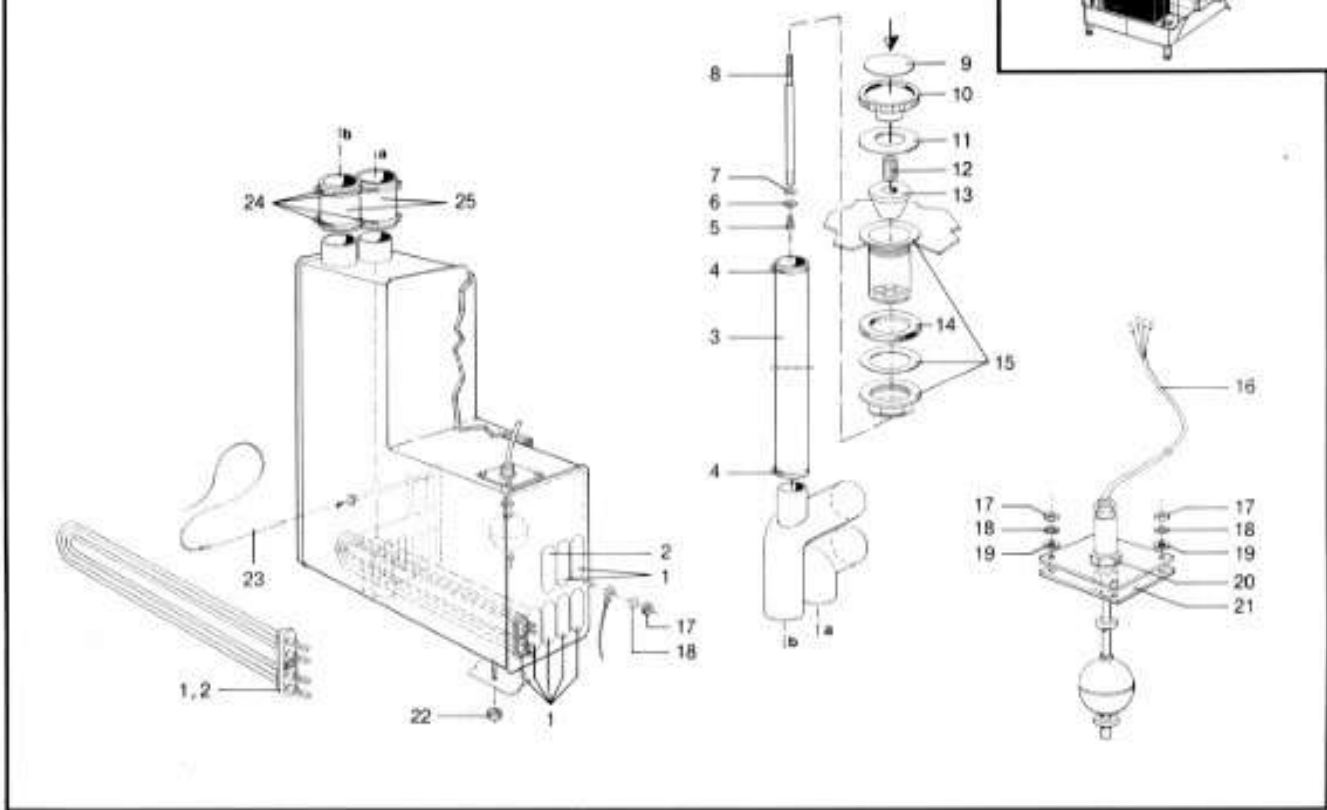


Steam Generator

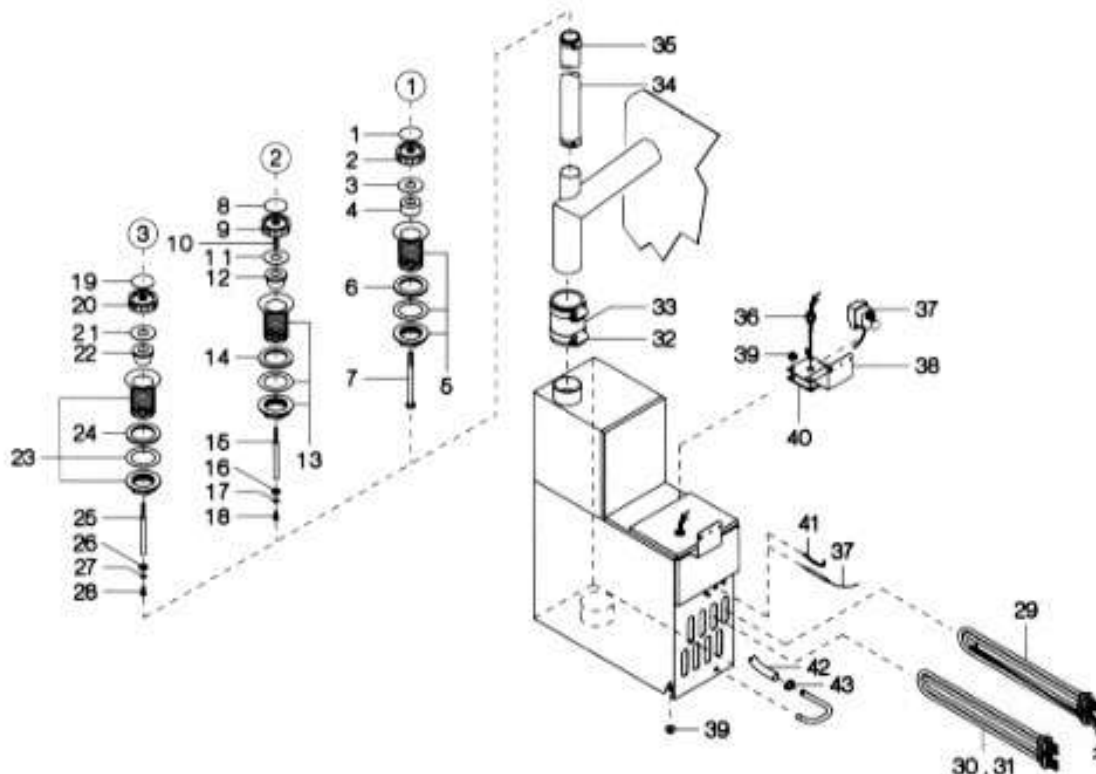
Component Group	Page	Edition	applicable from Serial No.
4	4.1	4.1.1	20M 87 09 1001



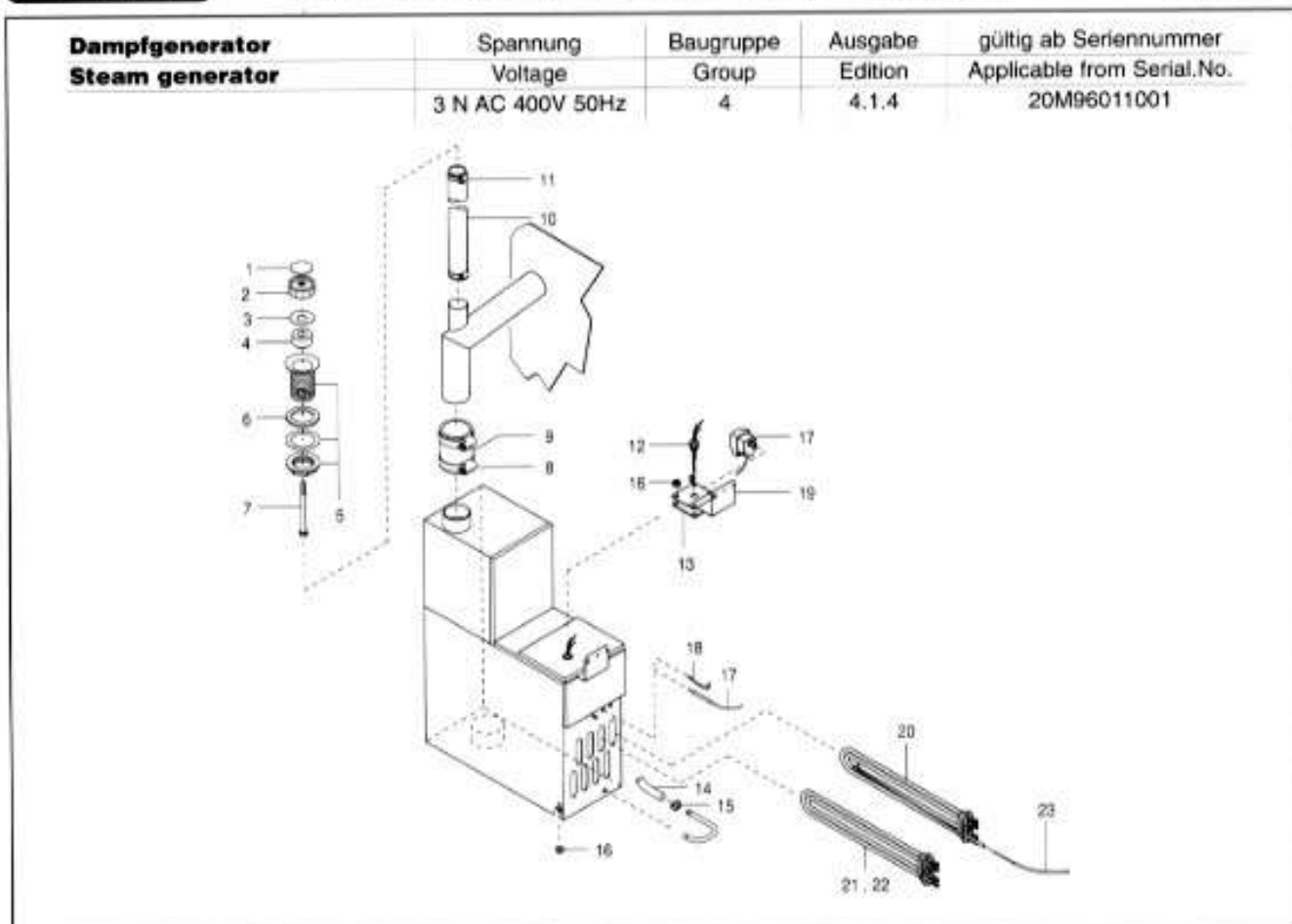
Pos.	Pcs.	Sp. Part No.	Description	Sign
-	1	8300.0006	steam generator complete	
-	1	8450.0200	safety valve complete (pos.5 - 15)	
1	7	3004.3505	heating element 2x3 KW	
2	1	3004.3506	heating element 2x1,5 KW	
3	1	2067.0205	steam hose 600 mm long NW 42	
4	2	2066.0504	hose clamp 40 - 60 mm	
5	1	1005.0660	hex socket head cap screw M 5x12	
6	1	1205.0360	spring washer	
7	1	1305.0260	washer A 5,3	
8	1	2026.0400	guide bar	
9	1	2049.0800	cover plate, aluminium	
10	1	2020.0300	plastic handle for safety valve	
11	1	5012.0526	gasket	
12	1	2026.0300	thread insert	
13	1	2026.0200	cone for safety valve	
14	1	5012.0527	gasket	
15	1	2064.0101	valve body	
16	1	3016.1201	level switch	S5
17	5	1106.0160	hex nut M6	
18	5	1206.0120	toothed lock washer A 6,4	
19	4	1306.0120	washer A 6,4	
20	1	2040.0101	hex nut G 3/8"	
21	1	5012.0528	gasket	
22	1	1106.0801	hex combi nut M6	
23	1	3014.0150	sensor steam generator	B3
24	4	2066.0505	hose clamp 70 - 90 mm	
25	2	2067.0401	steam hose 95 mm long	

Steam Generator

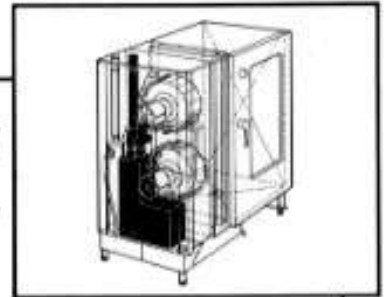
Voltage	Group	Page	Edition	Application from Serial. No.
3 N AC 380V 50Hz	4	4.1	4.1.3	20M91042001



Pos.	Pcs.	Sp.	Part No.	Description	Sign.	Pos.	Pcs.	Sp.	Part No.	Description	Sign.
-	1		8450.0200	safety valve cpl. (version 1)		-	1		8300.0088	steam generator cpl.	
version 1						29	1		3004.4304	heating element 2x3kW thermocouple	
1	1		2049.0800	cover plate, aluminium		30	6		3004.4302	heating element 2x3kW	
2	1		2020.0301	plastic handle		31	1		3004.4303	heating element 2x1,5kW	
3	1		5012.0526	gasket		32	2		2066.0505	hose clamp 70-90mm	
4	1		2026.0201	cone		33	1		2067.0401	steam hose 95mm long	
5	1		5012.0527	gasket		34	1		2067.0205	steam hose 580mm long	
6	1		2064.0100	valve body		35	2		2066.0504	hose clamp 40-60mm	
7	1		1008.0764	hex screw M8x110		36	1		3002.0402	filling-level electrode 90mm	S4
version 2						37	1		3014.0300	protector against running dry	F5
8	1		2049.0800	cover plate, aluminium		38	1		2520.311089	holding angle	
9	1		2020.0301	plastic handle		39	5		1106.0801	hex-combi-nut M6	
10	1		2026.0301	plastic insert		40	1		5012.0537	gasket	
11	1		5012.0526	gasket		41	1		2544.101230	clamping plate	
12	1		2026.0201	cone		42	1		2067.0128	pressure hose 420mm long	
13	1		5012.0527	gasket		43	1		2062.0205	hose clamp 12-18mm	
14	1		2064.0100	valve body							
15	1		2026.0400	guide bar							
16	1		1305.0260	washer A5,3							
17	1		1205.0360	spring washer A5,3							
18	1		1005.0660	hex socketed head screw M5x12							
version 3											
19	1		2049.0800	cover plate, aluminium							
20	1		2020.0300	plastic handle							
21	1		5012.0526	gasket							
22	1		2026.0201	cone							
23	1		5012.0527	gasket							
24	1		2064.0100	valve body							
25	1		2026.0400	guide bar							
26	1		1305.0260	washer A5,3							
27	1		1205.0360	spring washer A5,3							
28	1		1005.0660	hex socketed head screw							

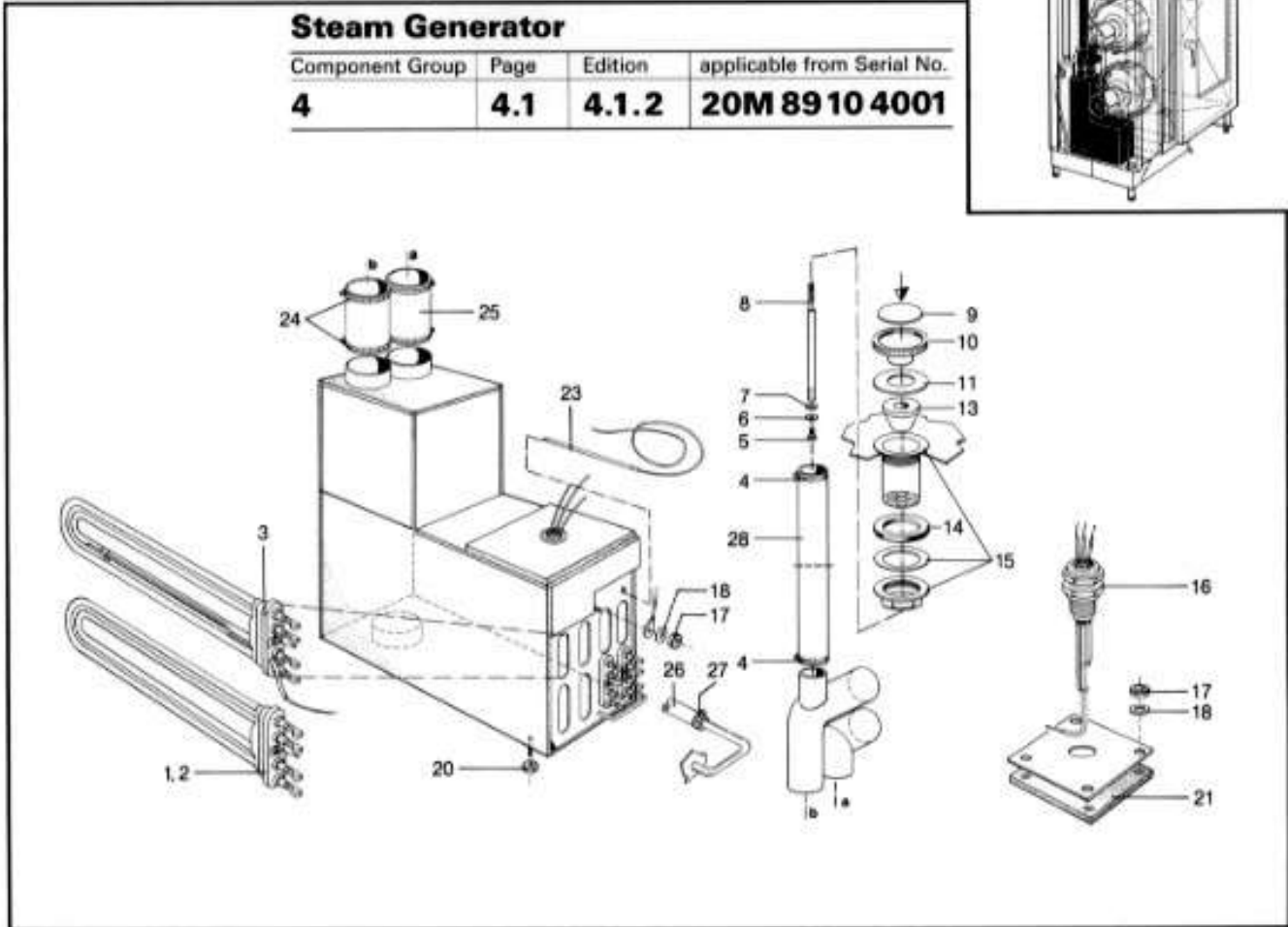


Pos.	St.	Ersatz.Nr.	Bezeichnung	Description
Pos.	Pcs.	Sp. Part No.		
-	1	8300.0089	SC-Dampfgenerator kpl.400V	SC-steam generator cpl. 400V
-	1	8450.0200	Sicherheitsventil komplett Typ 201/20	Safety valve for type 201/20
1	1	2049.0800	Alu-Deckschild für Sicherheitsventil	Cover plate aluminum for safety valve
2	1	2020.0301	Griffscheibe Sicherheitsventil	Plastic-handle for safety-valve
3	1	5012.0526	Dichtung für Sicherheitsventil	Gasket for safety valve
4	1	2026.0201	Verschlußkegel Sicherheitsventil	Cone for safety valve
5	1	2064.0101	Einfüllstutzen Typ 201/20	Safety valve housing type 201/20
6	1	5012.0527	Dichtung für Sicherheitsventilgehäuse	Gasket for safety valve housing
7	1	1008.0764	Sechskantschraube M8x110 f.Griffscheibe	Hex screw M8x110 for safety valve
8	2	2066.0505	Schlauchscheile 70-90mm	Hose clamp 70-90mm
9	1	2067.0401	Druckschlauch NW60 120mm lang	Steam hose NW60 120mm long
10	1	2067.0205	Dampfschlauch NW42 580 mm lang	Steam hose 580mm long
11	2	2066.0504	Schlauchscheile 40-60mm	Hose clamp 40-60mm
12	1	3002.0402	Füllstandselektrode 90mm Typ 101/201/20	Filling level electrode 90 mm type 101/201/20
13	1	5012.0537	Dichtung für Füllstandselektrode	Gasket for filling-level elektrode
14	1	2067.0128	Druckschlauch NW10 420 mm lang	Pressure hose 420 mm long
15	1	2066.0205	Schlauchscheile 12-18 mm	Hose clamp 12-18 mm
16	5	1106.0801	Sechskant-Combi-Mutter M6	Hex combination nut M6
17	1	3014.0300	Trockengehschutz 125°C	Dry up protector 125°C
18	1	2544.101230	Klemmblech Dampfgenerator	Clamping plate thermostat steam generator
19	1	2520.311089	Halterung für Trockengehschutz	Holder for dry up protector
20	1	3004.4157	Tauchheizkörper 2x3kW 400V mit Fühlerrohr	Heating element 2x3kW 400V with sensor pipe
21	6	3004.4302	Tauchheizkörper 2x3kW 400V	Heating element 2x3KW 400V
22	1	3004.4303	Tauchheizkörper 2x1,5kW 400V	Heating element 2x1,5kW 400V
23	1	3014.0165	Thermoelement Dampfgenerator	Thermo element steam generator



Steam Generator

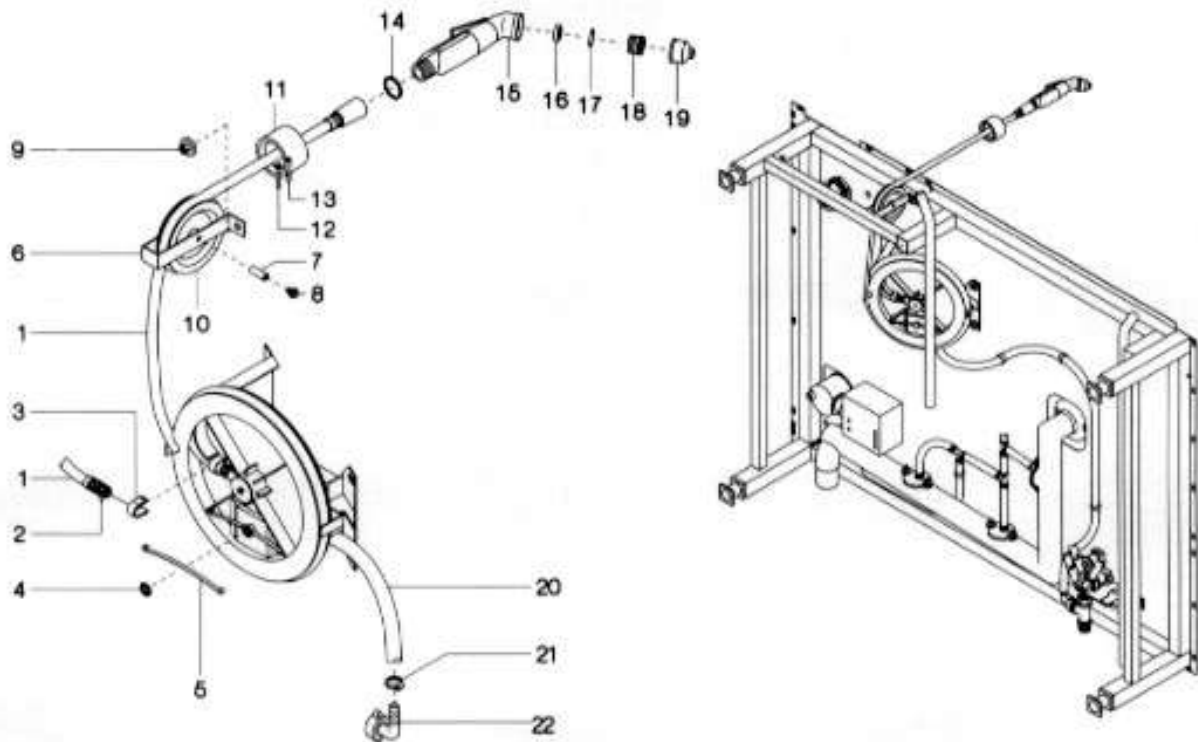
Component Group	Page	Edition	applicable from Serial No.
4	4.1	4.1.2	20M 8910 4001



Pos.	Pcs.	Sp.	Part No.	Description	Sign
-	1		8300.0073	steam generator complete	
-	1		8450.0200	safety valve complete (pos. 5 - 15)	
1	7		3004.3505	heating element 2x3 KW	
2	1		3004.3506	heating element 2x1,5 KW	
3	1		3004.3516	heating element 2x3 KW with thermocouple	
4	2		2066.0504	hose clamp 40 - 60 mm	
5	1		1005.0660	hex socket head cap screw M 5x12	
6	1		1205.0360	spring washer	
7	1		1305.0260	washer A 5,3	
8	1		2026.0400	guide bar	
9	1		2049.0800	cover plate, aluminium	
10	1		2020.0300	plastic handle for safety valve	
11	1		5012.0526	gasket	
13	1		2026.0200	cone for safety valve	
14	1		5012.0527	gasket	
15	1		2064.0101	valve body	
16	1		3002.0402	filling-level electrode 90 mm	
17	5		1106.0160	hex nut M6	
18	5		1206.0120	toothed lock washer A 6,4	
20	1		1106.0801	hex-combi-nut M6	
21	1		5012.0537	gasket	
23	1		3014.0150	sensor steam generator B3	
24	4		2066.0505	hose clamp 70 - 90 mm	
25	2		2067.0401	steam hose 95 mm long	
26	1		2067.0128	pressure hose	
27	1		2066.0202	hose clamp	
28	1		2067.0205	steam hose 580 mm long	

Bottom (Hand Shower)

Voltage	Group	Page	Edition	Application from Serial. No.
3 N AC 380V 50Hz	10	10.3	10.3.2	20M93011001

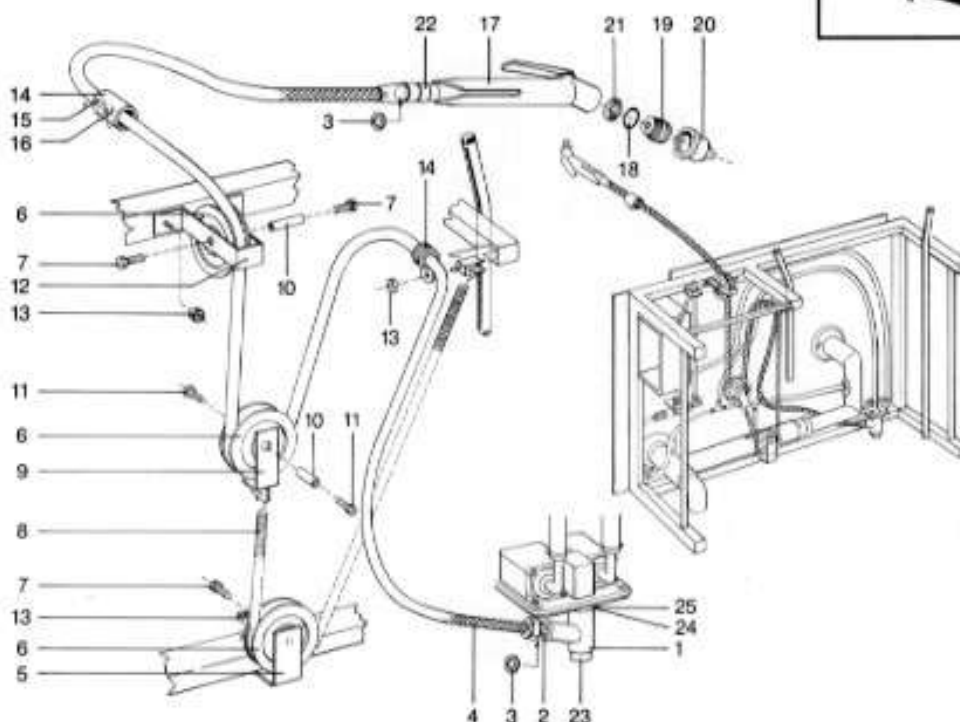


Pos.	Pcs.	Sp. Part No.	Description	Sign.
-	1	8410.1013	hand shower roll guide kpl.	
-	1	8630.0106	holder for hose reel cpl. (pos. 6,7,8,10)	
1	1	2067.0605	shower hose	
2	2	2060.0228	gasket for shower hose	
3	1	2060.0152	climp for shower hose	
4	1	2001.0203	lock washer	
5	1	2001.0202	fastening spring	
6	1	2510.640687	holder for hose reel	
7	1	2016.0878	axle for hose reel	
8	2	1005.2000	safety screw M5x8	
9	2	1106.0801	hex-combi-nut M6	
10	1	2060.0112	hose reel	
11	1	2060.0121	tulip	
12	1	1104.0664	hex sochet head cap screw M4x16	
13	1	1004.0664	hex sochet head screw M4x16	
14	1	5012.0536	gasket for shower hose	
15	1	2060.0100	hand shower cpl. (incl. pos. 16,17,18,19)	
16	1	2060.0218	gasket	
17	1	2060.0217	O-ring	
18	1	2060.0216	head screw	
19	1	2060.0215	mouthpiece	
20	1	2067.0060	pressure hose 900mm long	
21	2	2066.0205	hose clamp 12-18mm	
22	1	2062.0203	threaded pipe angle G3/4"	



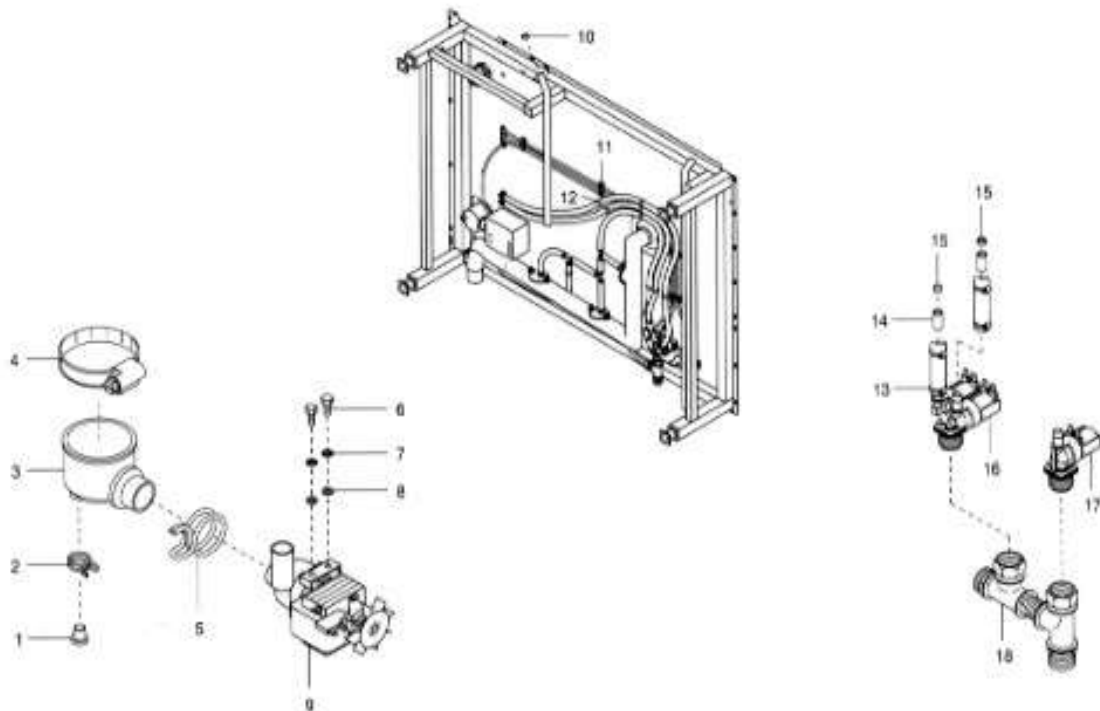
Bottom (Hand Shower)

Component Group	Page	Edition	applicable from Serial No.
10	10.3	10.3.1	20M 89 04 1049

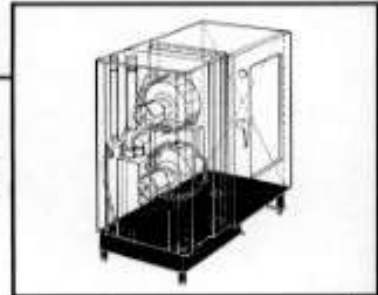


Pos.	Pcs.	Sp.	Part No.	Description	Sign	Pos.	Pcs.	Sp.	Part No.	Description	Sign
1	1		2036.0501	T-fitting		-	1		8630.0106	holder 3, complete	
2	1		2062.0103	reducing nipple						(pos. 12, 7, 10)	
3	2		5012.0536	gasket		-	1		8630.0109	T-part complete	
4	1		2067.0602	shower hose with gasket						(pos. 2, 23, 24, 25)	
5	4		8630.0102	holder 4, complete							
6	3		2060.0112	hose reel							
7	3		1005.2000	ratchet safety screw							
8	1		2002.0401	tension spring 720 mm							
9	1		8630.0103	bow, welded							
10	3		2060.0115	axle							
11	2		1005.0126	countersunk head screw M 5x6							
12	1		2510.640687	holder 3							
13	5		1106.0801	hex combi nut M6							
14	1		2060.0113	tube 2 for hand shower							
15	1		1004.0664	hex socket head cap screw M 4x16							
16	1		1004.0430	head screw M 4x16							
17	1		2060.0100	hand shower with guide complete							
				(pos. 17, 18, 19, 20)							
18	1		2060.0217	O-ring gasket							
19	1		2060.0216	head screw							
20	1		2060.0215	mouthpiece							
21	1		2060.0218	gasket for hand shower							
22	1		2060.0110	revolving joint							
23	1		1500.1579	reducing nipple							
24	1		2036.0101	tube screw connection							
25	1		5012.0529	gasket							
-	1		8630.0108	bow complete (pos. 6, 9, 11)							
-	1		8630.0107	holder 4, complete (pos. 5, 7, 10)							

Bodengruppe (Unterseite)	Spannung	Baugruppe	Ausgabe	gültig ab Seriennummer
Bottom (Lower elevation)	Voltage	Group	Edition	Applicable from Serial.No.
	3 N AC 400V 50Hz	10	10.2.5	20M9603XXXX

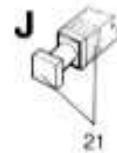
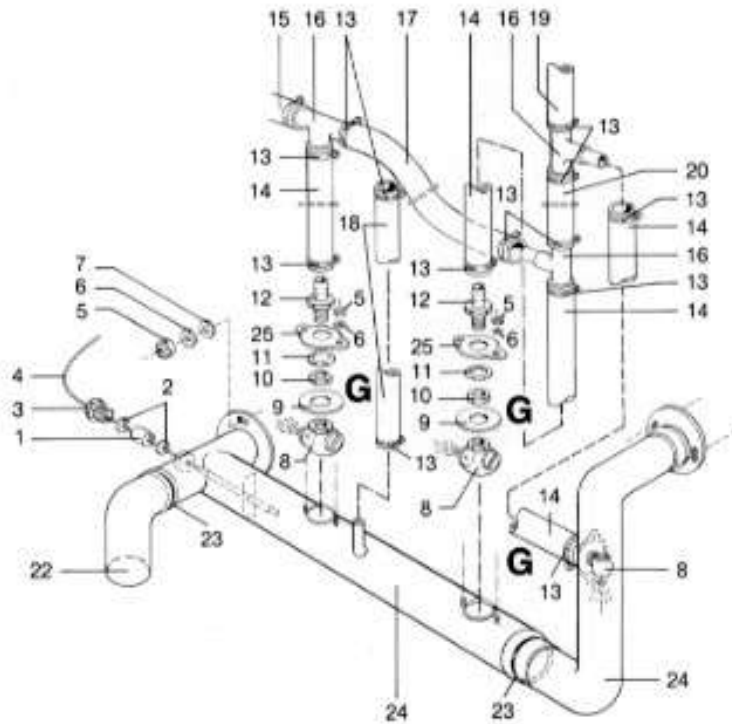


Pos.	St.	Ersatz.Nr.	Bezeichnung	Description
Pos.	Pcs.	Sp. Part No.		
-	-	2067.0050	Druckschlauch NW10 1 lfm.	Pressure hose NW10 per meter
1	1	2016.0873	Stopfen für Pumpenanschluß	Plug for pump connection
2	1	2066.0517	Schlauchklemme 18,2mm	Hose clamp 18,2mm
3	1	2022.0110	Pumpenanschluss ab 04/91	Pump connection from 04/91
4	1	2066.0516	Schlauchschelle 60-80mm	Hose clamp 60x80 mm
5	1	2066.0519	Schlauchklemme d 35,6 mm	Hose clamp 35,6mm
6	2	1006.1960	Senkschraube mit Innensechskant M6x16	Hex socket countersunk head screw M6x16
7	2	1206.0120	Zahnscheibe A6,4	Toothed lock washer A6,4
8	2	1306.0120	Unterlegscheibe A6,4 DIN125	Washer A6,4
9	1	3002.1000	Entleerungspumpe 200-240 V, 50/60 Hz	Emptying pump 200-240V 50/60 Hz
10	3	2039.0204	PVC-Lamellenkappe Typ 201/20	PVC- end cap type 201/20
11	10	4006.0201	Kabelbefestigung Magnetventil schwarz 10 Stk.	Fixing clip for solenoid cable 10 ea
12	13	4006.0203	Befestigungschelle PL-KK PA 6 FL	Fixing clip for pressure hose
13	5	2066.0205	Schlauchschelle 12-18 mm	Hose clamp 12-18 mm
14	2	2016.0867	Aufnahme für Durchflußmengenregler	Socket for flow controller
15	2	1900.0103	Durchflußmengenregler orange, Typ 20	Flow controller orange
16	1	3002.0330	Doppelmagnetventil kpl. 220-240V 50Hz	Double solenoid valve unit 220-240V 50 Hz
17	1	3002.0331	Einfachmagnetventil kpl. 220/240V 50Hz	Single solenoid valve unit 220/240V 50Hz
18	1	8621.0100	Fittingssatz-Wasseranschluß	Fitting set water connection

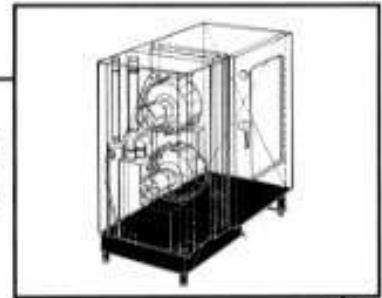


Bottom (Lower elevation)

Component Group	Page	Edition	applicable from Serial No.
10	10.1	10.1.1	20M 87 09 1001

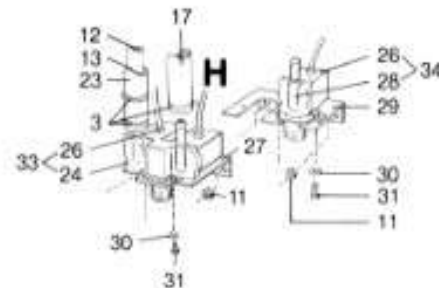
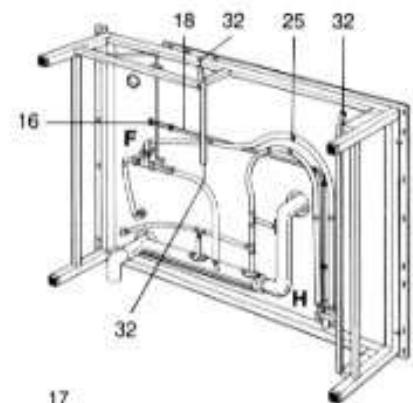
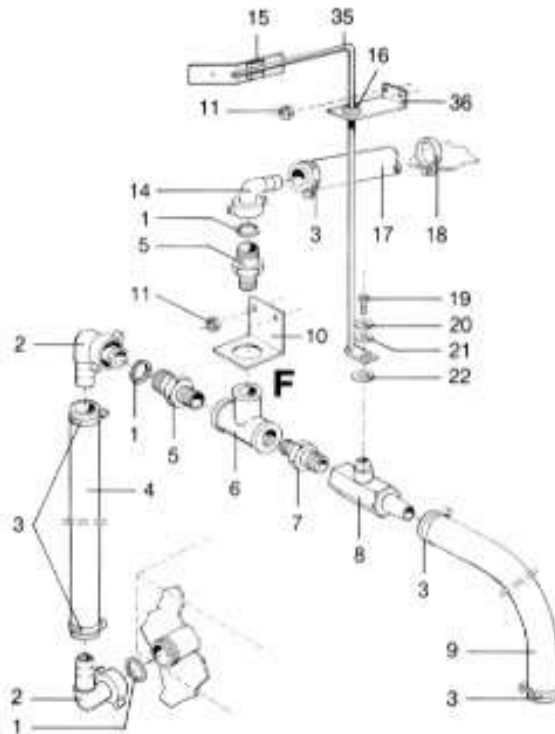


Pos.	Pcs.	Sp.	Part No.	Description	Sign
-	3		8612.0103	quench nozzle complete (pos. 8,9,10,25,11,12)	
1	1		3014.0303	stuffing box packing	
2	2		3014.0304	washer	
3	1		3014.0305	stuffing box nipple	
4	1		3014.0312	thermostat	P1
5	4		1106.0160	quenching system	
6	4		1206.0120	hex nut M6	
7	2		1306.0221	toothed lock washer A 6,4	
8	3		2016.0901	washer A 6,4	
9	3		2070.0020	quench nozzle	
10	3		2580.600594	gasket	
11	3		5012.0532	washer	
12	3		2062.0102	O-ring gasket	
13	12		2066.0202	hose fitting G 3/8"	
14	3		2067.0107	hose clamp 12-22 mm	
15	1		2067.0110	pressure hose 105 mm long	
16	3		2062.0302	pressure hose 360 mm long	
17	1		2067.0109	T-fitting	
18	1		2067.0304	pressure hose 240 mm long	
19	1		2067.0111	pressure hose 530 mm long	
20	1		2067.0108	pressure hose 1030 mm long	
21	4		2039.0100	pressure hose 120 mm long	
22	1		2070.0007	foot adjustable	from 20M88011001 : 2039.0111
23	2		2070.0013	elbow pipe	
24	1		2070.0016	sealing element	
25	5		2070.0021	drain pipe complete	
				cover for quench nozzle	

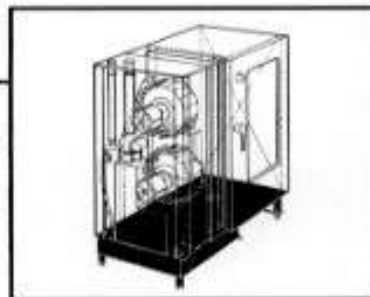


Bottom (Lower elevation)

Component Group	Page	Edition	applicable from Serial No.
10	10.2	10.2.2	20M 89 04 1049

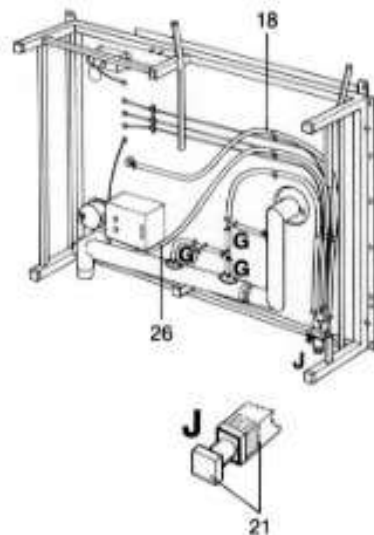
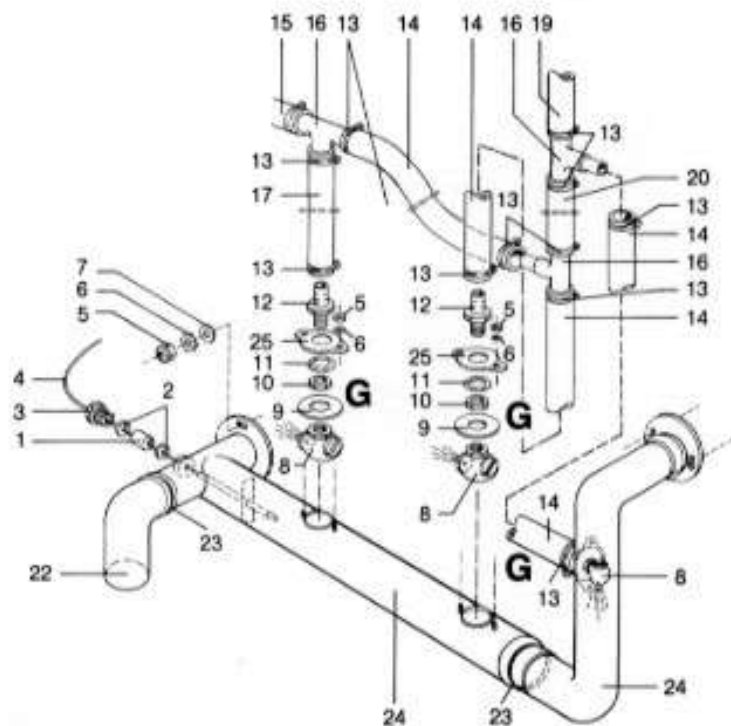


Pos.	Pcs.	Sp.	Part No.	Description	Sign	Pos.	Pcs.	Sp.	Part No.	Description	Sign
-	1		8611.0101	T-fitting with ball valve complete (pos. 5, 6, 7, 8, 10)		24	1		3002.0314	body for double solenoid valve	
1	2		5012.0529	sealing ring for elbow fitting		25	6		4006.0203	cable clamp	
2	2		2062.0200	elbow fitting G 3/4"		26	2		3002.0324	coil for solenoid valve	
3	8		2066.0202	hose clamp 12 - 22 mm		27	1		2580.720384	holder for double solenoid valve	
4	1		2067.0303	pressure hose 225 mm long		28	2		3002.0301	body for 2 single solenoid valves (option)	
5	2		1500.1579	reducing nipple G 1/2" x G 3/4"		29	1		2580.910401	holder for 2 single solenoid valves (option)	
6	1		2036.0501	T-fitting G 1/2"		30	2		1204.0120	toothed lock washer A 4,3	
7	1		2062.0103	double nipple G 1/2"		31	4		1004.0660	hex socket head cap screw M 4x10	
8	1		2062.0100	ball valve		32	3		2039.0204	plastic cap	
9	1		2067.0304	pressure hose 530 mm long		33	1		3002.0304	double solenoid valve complete	
10	1		2580.730385	holder for T-fitting		34	2		3002.0305	2 single solenoid valves complete	
11	6		1106.0801	hex combi nut M6		35	1		8410.0102	lever for ball valve	
12	1		1900.0103	flow regulator orange		36	1		2580.740386	holding strap for lever for ball valve	
13	1		2016.0867	socket for flow regulator							
14	1		2062.0203	elbow fitting G 3/4"							
15	1		4006.0202	cable clamp							
16	3		2022.0101	grommet							
17	1		2067.0112	pressure hose 1370 mm long							
18	4		4006.0201	cable clamp							
19	1		1006.0300	slotted raised countersunk head screw							
20	1		1205.0120	toothed lock washer A 5,3							
21	1		1305.0260	washer A 5,3							
22	1		1308.0560	washer							
23	1		2067.0111	pressure hose 1030 mm long							



Bottom (Lower elevation)

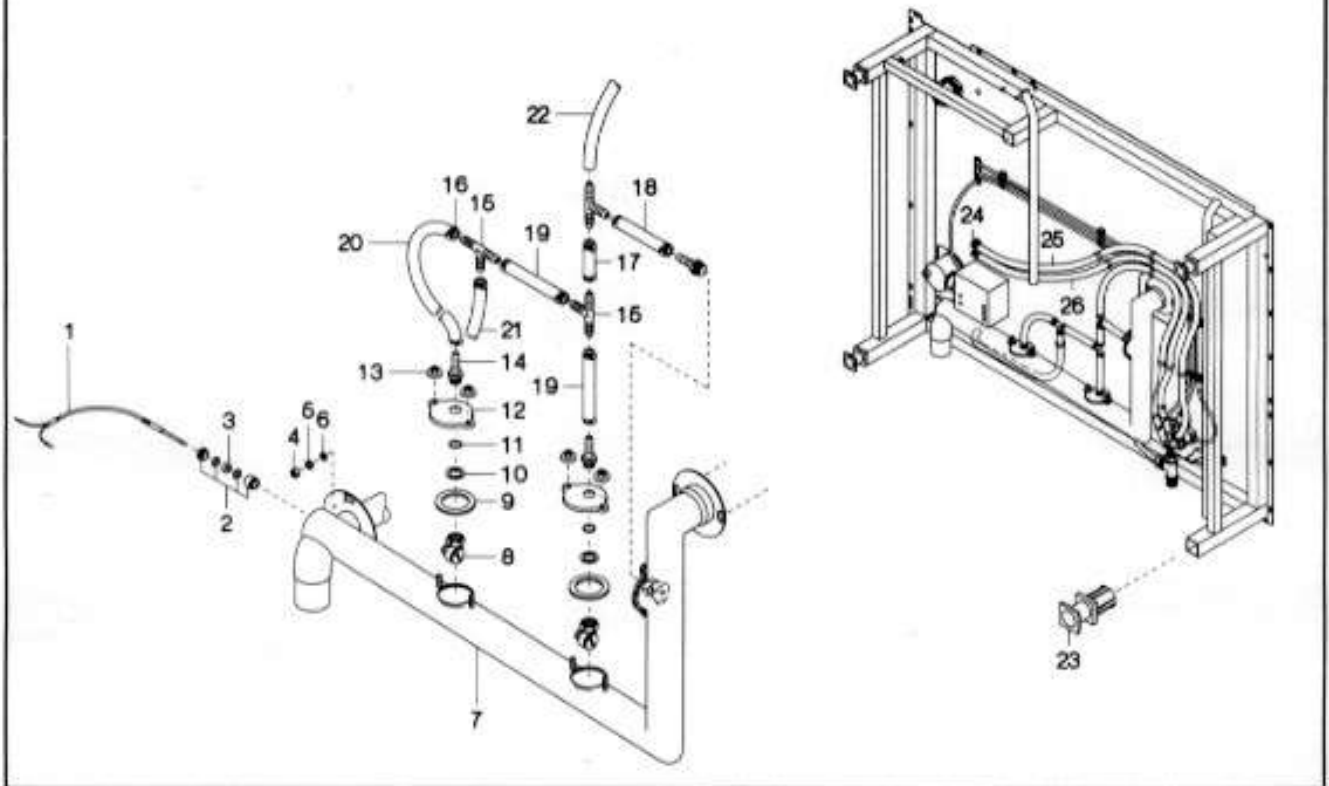
Component Group	Page	Edition	applicable from Serial No.
10	10.1	10.1.2	20M 8910 4001



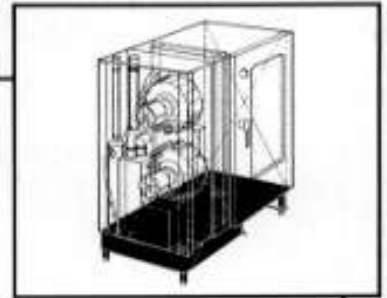
Pos.	Pcs.	Sp. Part No.	Description	Sign
-	3	8612.0103	quench nozzle complete (pos. 8, 9, 10, 25, 11, 12)	
1	1	3014.0303	stuffing box packing	
2	2	3014.0304	washer	
3	1	3014.0305	stuffing box nipple	
4	1	3014.0312	thermostat	P1
			quenching system	
5	4	1106.0160	hex nut M6	
6	4	1206.0120	toothed lock washer A 6,4	
7	2	1306.0221	washer A 6,4	
8	3	2016.0901	quench nozzle	
9	3	2070.0020	gasket	
10	3	2580.600594	washer	
11	3	5012.0532	O-ring gasket	
12	3	2062.0102	hose fitting G 3/8"	
13	18	2066.0202	hose clamp 12 - 22 mm	
14	3	2067.0107	pressure hose	
15	1	2067.0119	pressure hose	
16	3	2062.0302	T-fitting	
17	1	2067.0109	pressure hose	
18	1	2067.0134	pressure hose	
19	1	2067.0104	pressure hose	
20	1	2067.0108	pressure hose	
21	4	2039.0111	foot adjustable	
22	1	2070.0007	elbow pipe	
23	2	2070.0013	sealing element	
24	1	2070.0028	drain pipe complete	
25	5	2070.0021	cover for quench nozzle	
26	1	2067.0135	pressure hose	

Bottom (Lower elevation)

Voltage	Group	Page	Edition	Application from Serial. No.
3 N AC 380V 50Hz	10	10.1	10.1.3	20M91042001

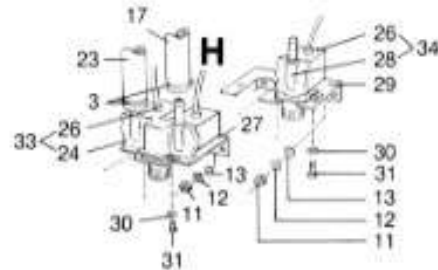
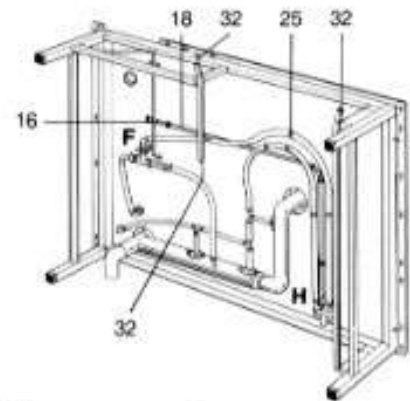
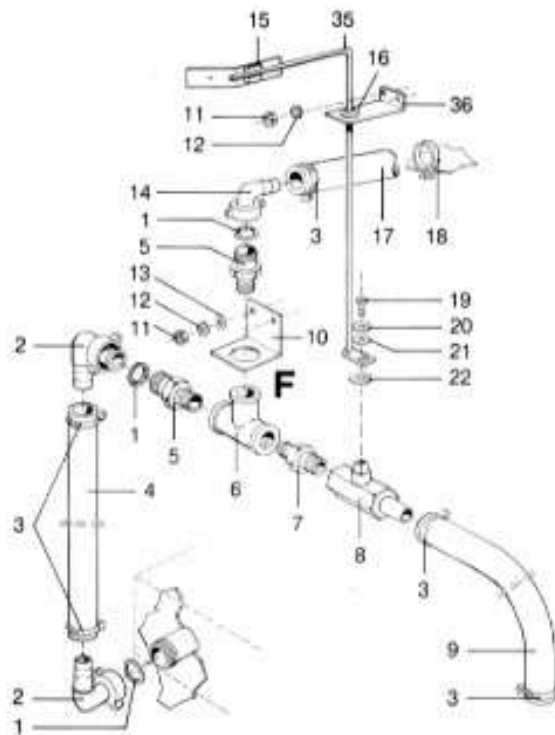


Pos.	Pcs.	Sp. Part No.	Description	Sign.
-	3	8612.0103	quenching nozzle cpl. (pos.8,9,10,11,12,14)	
1	1	3014.0156	sensor quenching system	E2
2	1	4007.0600	cablc connection PG9	
3	1	2022.0100	gasket	
4	2	1106.0160	hex nut M6	
5	2	1206.0120	toothed lock washer A6,4	
6	2	1306.0221	washer A6,4	
7	1	2070.0040	drain system cpl.	
8	3	2016.0901	quenching nozzle	
9	3	2070.0020	gasket	
10	3	2580.600594	washer	
11	3	5012.0532	gasket	
12	3	2070.0021	cover	
13	6	1106.0801	hex-combi-nut M6	
14	3	2062.0102	hose fitting G3/8"	
15	3	2062.0302	T-fitting	
16	18	2066.0205	hose clamp 12-18mm	
17	1	2067.0150	pressure hose 60mm long	
18	1	2067.0107	pressure hose 105mm long	
19	2	2067.0108	pressure hose 120mm long	
20	1	2067.0155	pressure hose 230mm long	
21	1	2067.0129	pressure hose 470mm long	
22	1	2067.0132	pressure hose 815mm long	
23	4	2039.0111	foot adjustable	
24	3	2062.0301	plastic elbow fitting	
25	1	2067.0143	pressure hose 1270mm long for steam generator rinsing	
26	1	2067.0147	pressure hose 140mm long for steam generator filling	



Bottom (Lower elevation)

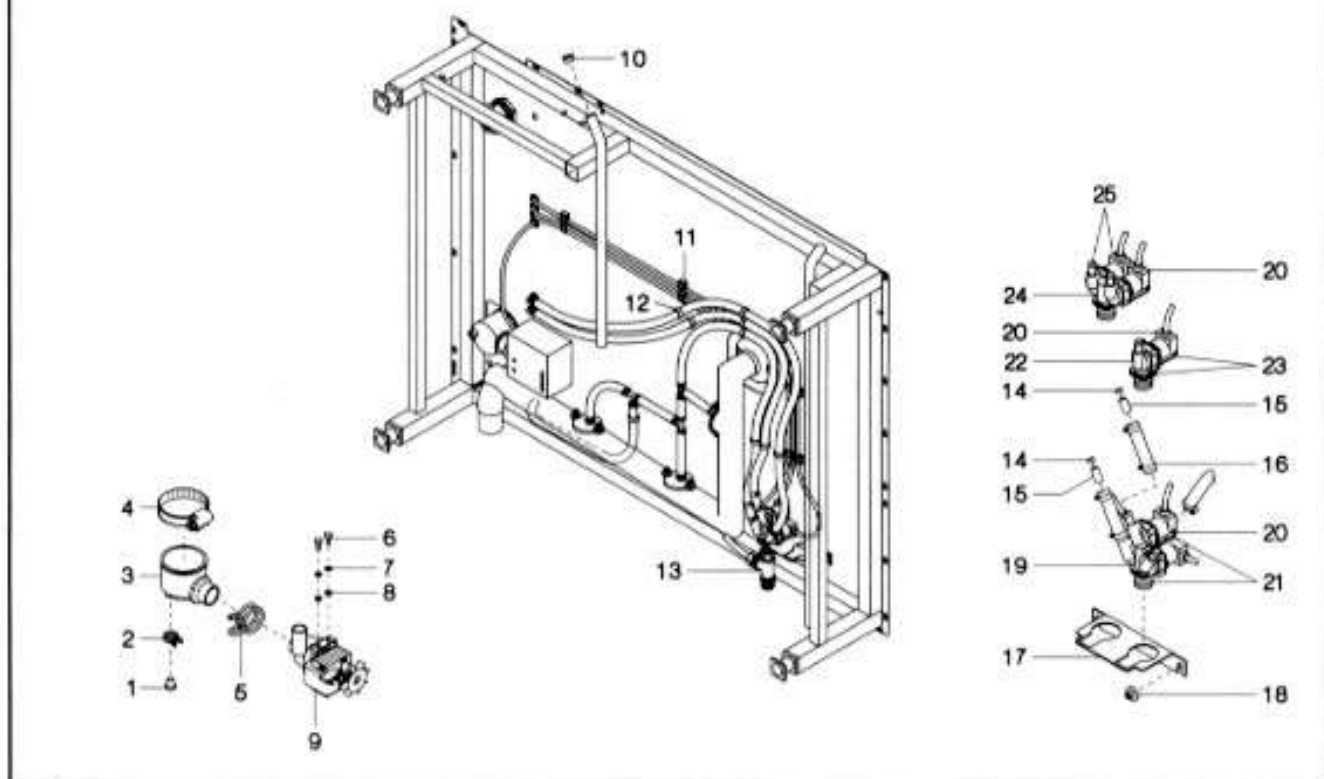
Component Group	Page	Edition	applicable from Serial No.
10	10.2	10.2.1	20M 87 091001



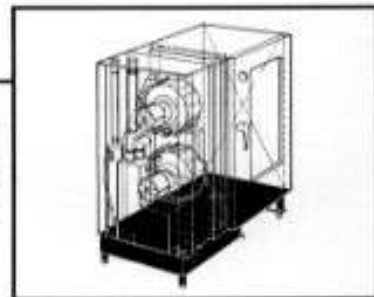
Pos.	Pcs.	Sp. Part No.	Description	Sign	Pos.	Pcs.	Sp. Part No.	Description	Sign
-	1	8611.0101	T-fitting with ball valve complete (pos. 5, 6, 7, 8, 10)		24	1	3002.0314	body for double solenoid valve	
1	2	5012.0529	sealing ring for elbow fitting		25	6	4006.0203	cable clamp	
2	2	2062.0200	elbow fitting G 3/4"		26	2	3002.0324	coil for solenoid valve	
3	7	2066.0202	hose clamp 12 - 22 mm		27	1	2580.720384	holder for double solenoid valve	
4	1	2067.0303	pressure hose 225 mm long		28	2	3002.0301	body for 2 single solenoid valves (option)	
5	2	1500.1579	reducing nipple G 1/2" x G 3/4"		29	1	2580.910401	holder for 2 single solenoid valves (option)	
6	1	2036.0501	T-fitting G 1/2"		30	2	1204.0120	toothed lock washer A 4,3	
7	1	2062.0103	double nipple G 1/2"		31	4	1004.0660	hex socket head cap screw M 4x10	
8	1	2062.0100	ball valve		32	3	2039.0204	plastic cap	
9	1	2067.0304	pressure hose 530 mm long		33	1	3002.0304	double solenoid valve complete	
10	1	2580.730385	holder for T-fitting		34	2	3002.0305	2 single solenoid valves complete	
11	6	1106.0160	hex nut M6		35	1	8410.0102	lever for ball valve	
12	6	1206.0120	toothed lock washer A 6,4		36	1	2580.740386	holding strap for lever for ball valve	
13	6	1306.0221	washer A 6,4						
14	1	2062.0203	elbow fitting G 3/4"						
15	1	4006.0202	cable clamp						
16	3	2022.0101	grommet						
17	1	2067.0112	pressure hose 1370 mm long						
18	4	4006.0201	cable clamp						
19	1	1006.0300	slotted raised countersunk head screw						
20	1	1205.0120	toothed lock washer A 5,3						
21	1	1305.0260	washer A 5,3						
22	1	1308.0560	washer						
23	1	2067.0111	pressure hose 1030 mm long						

Bottom (Lower elevation)

Voltage	Group	Page	Edition	Application from Serial. No.
3 N AC 380V 50Hz	10	10.2	10.2.4	20M91042001

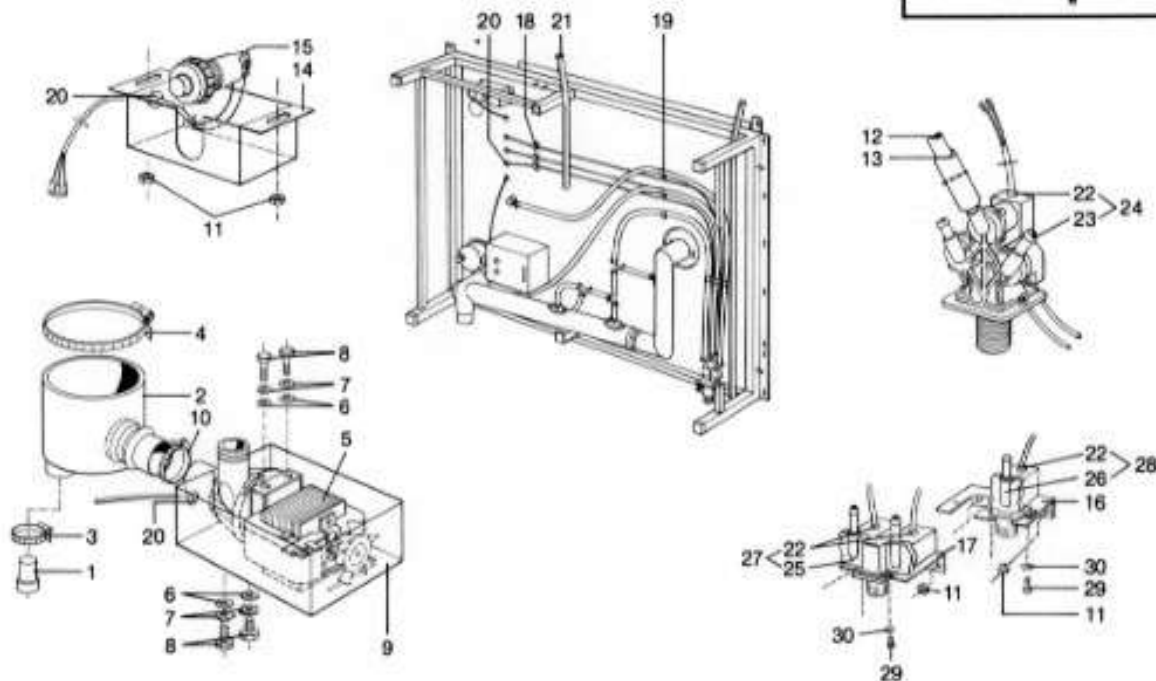


Pos.	Pcs.	Sp.	Part No.	Description	Sign.
1	1		2016.0873	end cap for pump connection	
2	1		2066.0517	hose clamp 18,2mm	
3	1		2022.0110	pump connection	
4	1		2066.0516	hose clamp 60-80mm	
5	1		2066.0519	hose clamp 35,6mm	
6	2		1006.1960	hex screw M6x16	
7	2		1206.0120	toothed lock washer A6,4	
8	2		1306.0120	washer A6,4	
9	1		3002.1000	discharging pump	
10	3		2039.0204	plastic cap	
11	10		4006.0201	fixing clip for solenoid cable	
12	13		4006.0203	fixing clip for pressure hose	
13	1		8621.0100	set water connection	
14	1		1900.0103	flow regulator orange	
15	2		2016.0867	socket for flow regulator	
16	5		2066.0205	hose clamp 12-18mm	
17	1		2580.721120	bracket holder solenoid valve	
18	2		1106.0801	hex-combi-nut M6	
19	1		3002.0315	body for triple solenoid valve	
20	3		3002.0329	coil for solenoid valve	
21	1		3002.0328	triple solenoid valve cpl.	
22	1		3002.0301	body for single solenoid valve (option)	
23	1		3002.0305	single solenoid valve cpl. (option)	
24	1		3002.0314	body for double solenoid valve (option)	
25	1		3002.0327	double solenoid valve cpl. (option)	

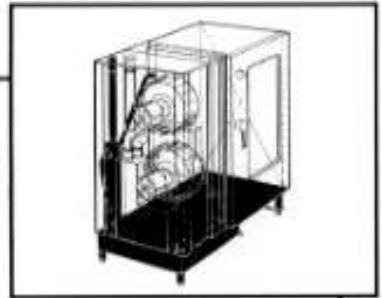


Bottom (Lower elevation)

Component Group	Page	Edition	applicable from Serial No.
10	10.2	10.2.3	20M 89 10 4001

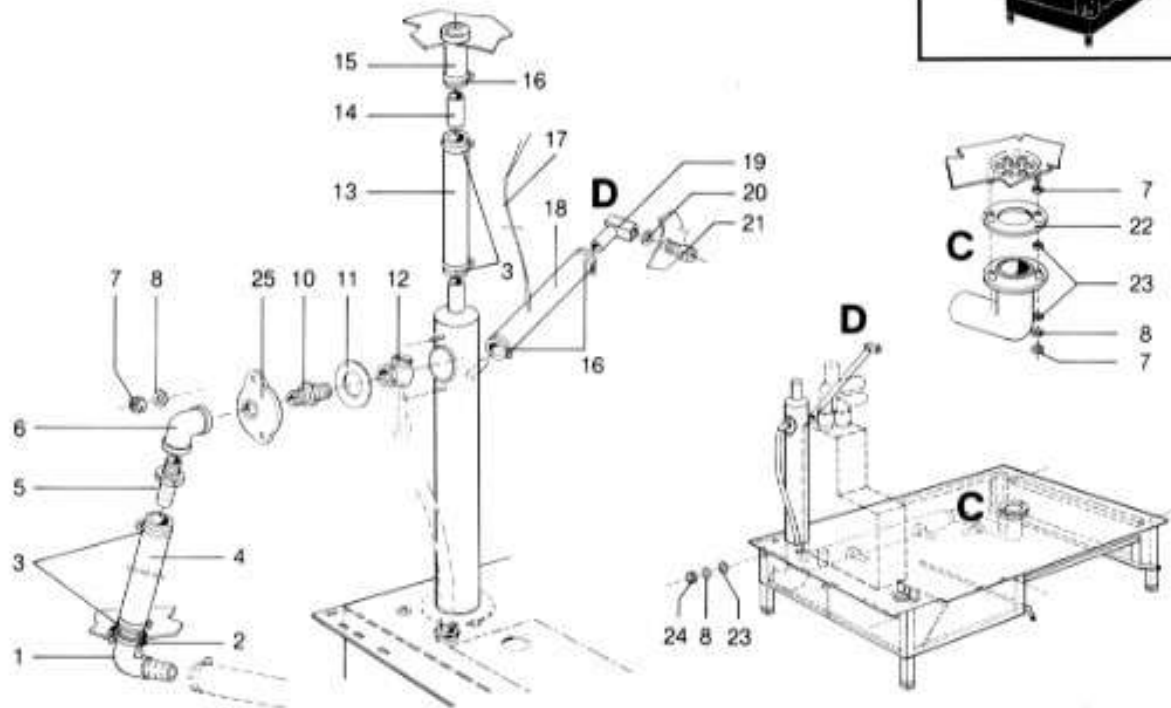


Pos.	Pcs.	Sp. Part No.	Description	Sign	Pos.	Pcs.	Sp. Part No.	Description	Sign
1	1	2016.0873	stopper for pump connection		25	1	3002.0314	body for double solenoid valve (option)	
2	1	2022.0110	pump connection		26	1	3002.0301	body for single solenoid valves (option)	
3	3	2066.0202	hose clamp		27	1	3002.0304	double solenoid valve complete	
4	1	2066.0505	hose clamp 70-90mm		28	1	3002.0305	single solenoid valves complete	
5	1	3002.0100	discharging pump		29	4	1004.0660	hex socket head screw M 4x10	
6	4	1306.0120	washer A 6,4		30	4	1204.0120	toothed lock washer 4,3	
7	4	1206.0120	toothed lock washer A 6,4						
8	4	1006.1960	socket countersunk head screw M 6x16						
9	1	2510.690995	cover for discharging pump						
10	1	2066.0506	hose clamp						
11	4	1106.0801	hex-combi-nut M6						
12	1	1900.0103	flow regulator orange						
13	1	2016.0867	socket for flow regulator						
14	1	2581.020843	holder for pushbutton						
15	1	3016.1352	pushbutton						
16	1	2580.910401	holder for single solenoid valves and 1 double solenoid valve (option)						
17	1	2580.720384	holder for triple solenoid valve						
18	10	4006.0201	cable clamp						
19	8	4006.0203	cable clamp						
20	11	2022.0101	grommet						
21	3	2039.0204	plastic cap						
22	3	3002.0324	coil for solenoid valve						
23	1	3002.0315	body for triple solenoid valve						
24	1	3002.0311	triple solenoid valve complete						

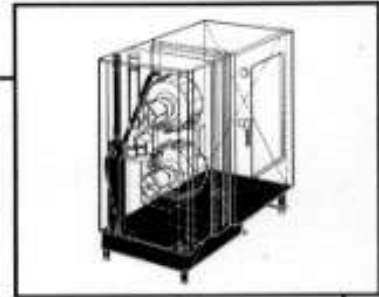


Bottom (Top elevation)

Component Group	Page	Edition	applicable from Serial No.
9	9.1	9.1.1	20M 87 09 1001

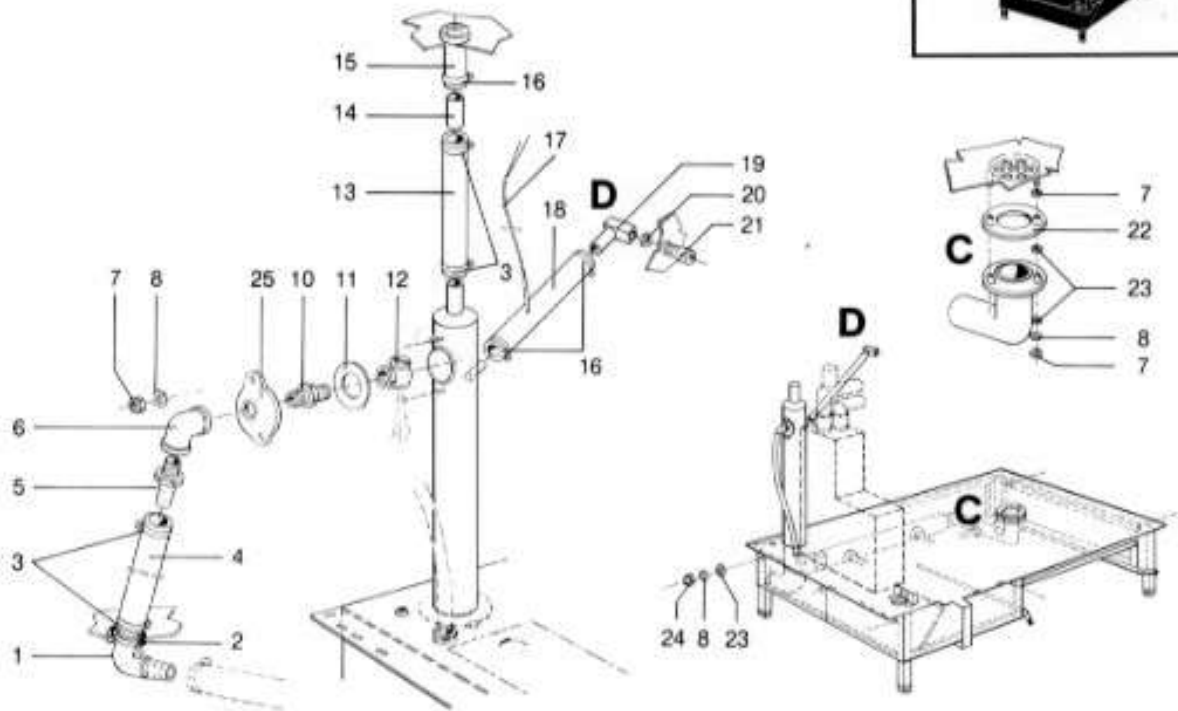


Pos.	Pcs.	Sp.	Part No.	Description	Sign
-	1		8612.0105	quench nozzle complete (pos. 5, 6, 9, 25, 10, 11, 12)	
1	1		2062.0301	plastic elbow fitting	
2	2		2022.0101	grommet	
3	4		2066.0202	hose clamp 12 - 22 mm	
4	1		2067.0103	pressure hose 650 mm long	
5	1		2062.0102	hose fitting G 3/8"	
6	1		2064.0300	elbow fitting 3/8", 90 degrees	
7	8		1106.0160	hex nut M6	
8	10		1206.0120	toothed lock washer A 6,4	
10	1		2064.0200	double nipple G 3/8"	
11	1		2070.0020	gasket	
12	1		2016.0900	quench nozzle	
13	1		2067.1607	pressure hose 720 mm long	
14	1		2610.330080	pipe	
15	1		4016.0601	air inlet grommet	
16	5		2066.0506	hose clamp 20 - 32 mm	
17	1		3014.0150	sensor for steam controller B2	
18	1		2067.1612	silicone hose 380 mm long	
19	1		8450.0100	elbow fitting G 1/2", 90 degrees	
20	1		1315.0100	copper washer	
21	1		2016.0850	bushing G 1/2"	
22	1		5012.0525	gasket	
23	14		1306.0221	washer A 6,4	
24	6		1106.0360	hex cap nut M6	
25	1		2070.0021	cover for quench nozzle	

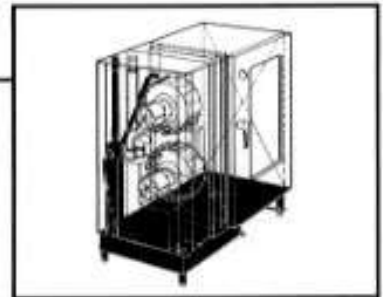


Bottom (Top elevation)

Component Group	Page	Edition	applicable from Serial No.
9	9.1	9.1.2	20M 89 04 1049

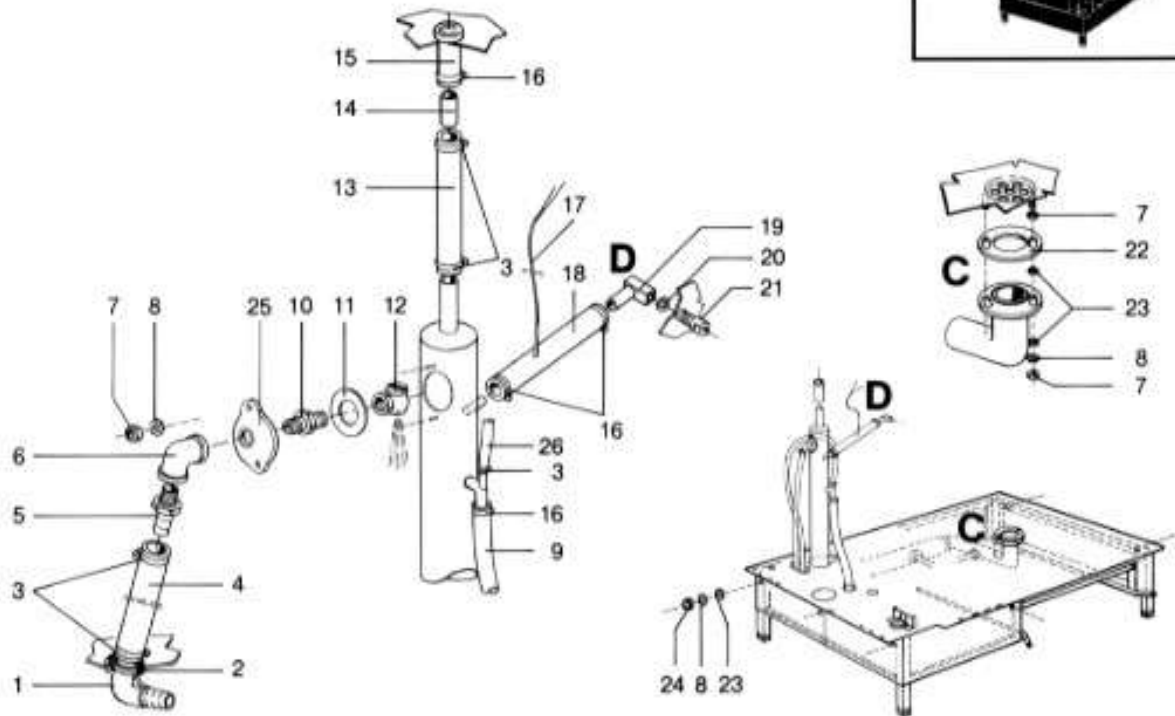


Pos.	Pcs.	Sp. Part No.	Description	Sign
-	1	8612.0105	quench nozzle complete (pos. 5, 6, 9, 25, 10, 11, 12)	
1	1	2062.0301	plastic elbow fitting	
2	2	2022.0101	grommet	
3	4	2066.0202	hose clamp 12-22 mm	
4	1	2067.0103	pressure hose 650 mm long	
5	1	2062.0102	hose fitting G 3/8"	
6	1	2064.0300	elbow fitting 3/8", 90 degrees	
7	8	1106.0160	hex nut M6	
8	10	1206.0120	toothed lock washer A 6,4	
10	1	2064.0200	doubel nipple G 3/8"	
11	1	2070.0020	gasket	
12	1	2016.0900	quench nozzle	
13	1	2067.1607	pressure hose 720 mm long	
14	1	2610.330080	pipe	
15	1	4016.0601	air inlet grommet	
16	5	2066.0506	hose clamp 20-32 mm	
17	1	3014.0150	sensor for steam controller B2	
18	1	2067.1612	silicone hose 380 mm long	
19	1	8450.0100	elbow fitting G 1/2", 90 degrees	
20	1	1315.0100	copper washer	
21	1	2016.0863	bushing G 1/2"	
22	1	5012.0525	gasket	
23	14	1306.0221	washer A 6,4	
24	6	1106.0360	hex cap nut M6	
25	1	2070.0021	cover for quench nozzle	



Bottom (Top elevation)

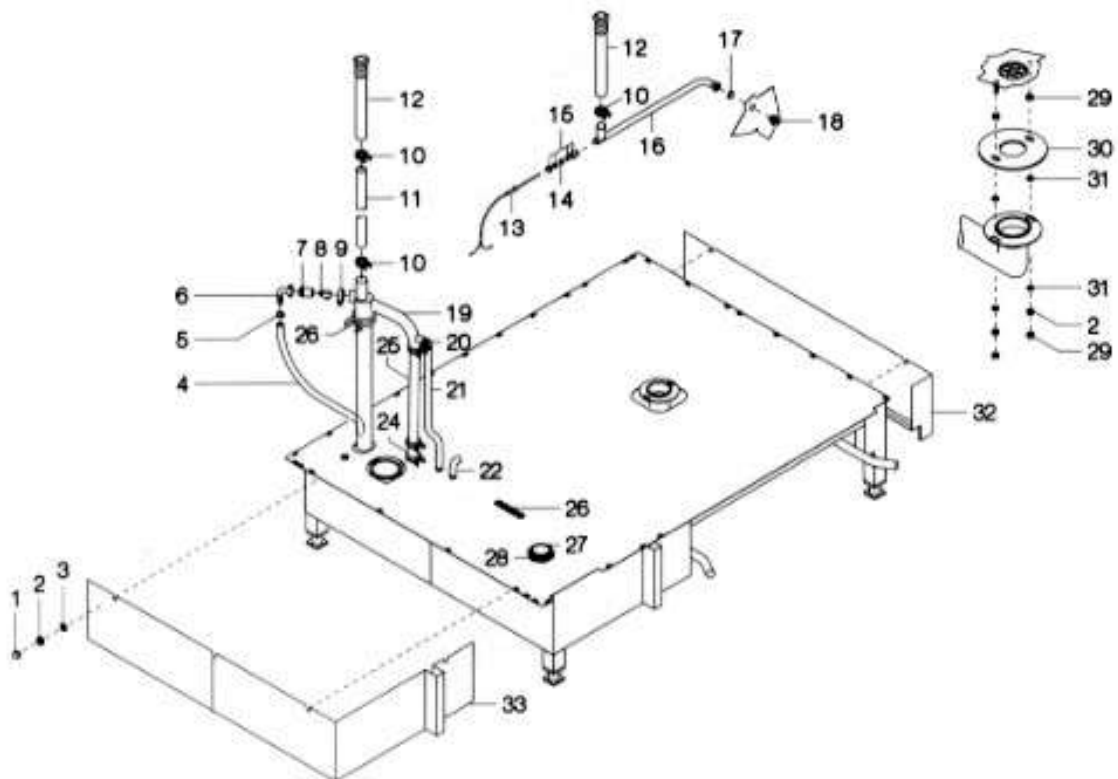
Component Group	Page	Edition	applicable from Serial No.
9	9.1	9.1.3	20M 8910 4001



Pos.	Pcs.	Sp.	Part No.	Description	Sign
-	1		8612.0105	quench nozzle complete (pos. 5, 6, 9, 25, 10, 11, 12)	
1	3		2062.0301	plastic elbow fitting	
2	5		2022.0101	grommet	
3	4		2066.0202	hose clamp 12 - 22 mm	
4	1		2067.0130	pressure hose	
5	1		2062.0102	hose fitting G 3/8"	
6	1		2064.0300	elbow fitting 3/8", 90 degrees	
7	8		1106.0180	hex nut M6	
8	10		1206.0120	toothed lock washer A 6,4	
9	1		2067.1615	silicone hose	
10	1		2064.0200	double nipple G 3/8"	
11	1		2070.0020	gasket	
12	1		2016.0900	quench nozzle	
13	1		2067.1607	pressure hose 720 mm long	
14	1		2610.330080	pipe	
15	1		4016.0601	air inlet grommet	
16	6		2066.0506	hose clamp 20 - 32 mm	
17	1		3014.0150	sensor for bypass B2	
18	1		2067.1614	silicone hose	
19	1		8450.0100	elbow fitting G 1/2", 90 degrees	
20	1		1315.0100	copper washer	
21	1		2016.0863	bushing G 1/2"	
22	1		5012.0525	gasket	
23	14		1306.0221	washer A 6,4	
24	6		1106.0360	hex cap nut M6	
25	1		2070.0021	cover for quench nozzle	
26	1		2067.0105	pressure hose	

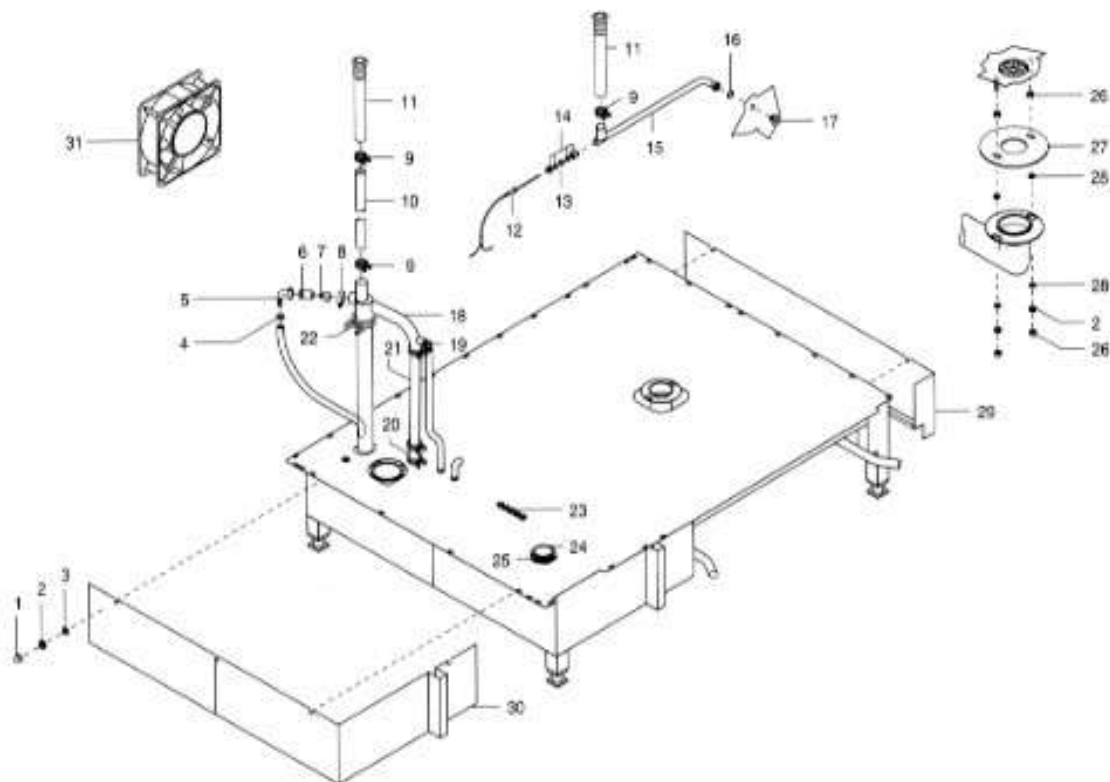
Bottom (Top elevation)

Voltage	Group	Page	Edition	Application from Serial. No.
3 N AC 380V 50Hz	9	9.1	9.1.4	20M91042001

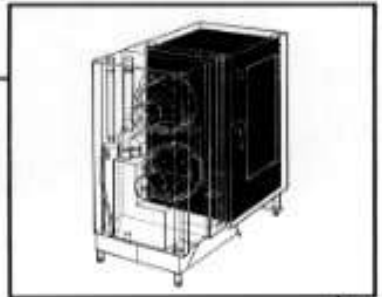


Pos.Pcs.	Sp. Part No.	Description	Sign.	Pos.Pcs.	Sp. Part No.	Description	Sign.
-	1	8612.0111	quenching nozzle cpl.	29	4	1106.0160	hex nut M6
1	6	1106.0360	hex cap nut M6	30	1	5012.0555	gasket
2	6	1306.0550	washer A6,4	31	5	1306.0221	washer A6,4
3	8	1206.0120	toothed lock washer A6,4	32	1	2510.080149	bottom plate cover right
4	1	2067.0156	pressure hose 440mm long	33	1	8402.0042	bottom plate cover left
5	7	2066.0205	hose clamp 12-18mm				
6	1	2062.0208	threaded pipe angle G1/2"				
7	1	2016.0883	threaded connection				
			quenching nozzle				
8	1	2016.0915	quenching nozzle				
9	1	2066.0506	hose clamp 20-32mm				
10	5	2066.0518	hose clamp 30mm				
11	1	2610.420321	PP-pipe 820mm long				
12	2	4016.0101	vent connection				
13	1	3014.0156	sensor bypass	E3			
14	1	2022.0100	gasket				
15	1	4007.0600	cable connection PG9				
16	1	2071.0102	bypass pipe				
17	1	1315.0104	copper washer				
18	1	2016.0920	bypass nozzle				
19	1	2022.0201	drain elbow				
20	1	2062.0301	plastic elbow fitting				
21	1	2067.0157	pressure hose 340mm long for steam generator filling				
22	1	2067.0110	pressure hose 360mm long for steam generator rinsing				
23	1	2022.0202	hose connection piece 40mm long				
24	1	2644.250288	PP-pipe 300mm long				
25	1	2066.0520	hose clamp 46mm				
26	10	2022.0101	grommet				
27	1	4007.0606	cable connection PG36				
28	1	4007.0607	lock nut for PG36				

Bodengruppe (Oberseite)	Spannung	Baugruppe	Ausgabe	gültig ab Seriennummer
Bottom (Top elevation)	Voltage	Group	Edition	Applicable from Serial.No.
	3 N AC 400V 50Hz	9	9.1.5	20M96011001

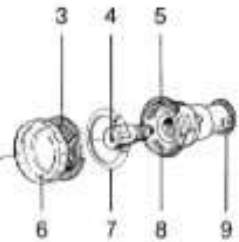
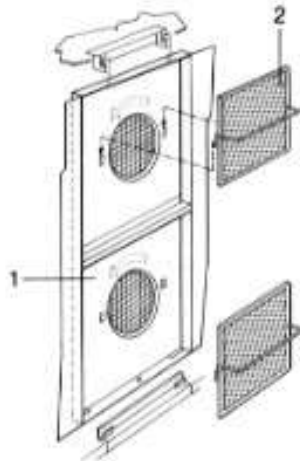


Pos.	St.	Ersatz.Nr.	Bezeichnung	Description
Pos.	Pcs.	Sp. Part No.		
-	-	2067.0050	Druckschlauch NW10 1 lfm.	Pressure hose NW10 per meter
-	1	8612.0111	Ablöschdüse oben komplett	Quench nozzle top
1	6	1106.0360	Hutmutter M6, hohe Form	Cap nut M6, high shape
2	6	1306.0550	Unterlegscheibe A6,6	Washer A6,6
3	8	1206.0120	Zahnscheibe A6,4	Toothed lock washer A6,4
4	7	2066.0205	Schlauchschelle 12-18 mm	Hose clamp 12-18 mm
5	1	2062.0208	Winkelverschraubung G1/2"x10	Elbow Nipple 1/2"x10mm
6	1	2016.0883	Verschraubung Ablöschdüse ab 04/91	Threaded connection for quenching nozzle
7	1	2016.0915	Ablöschdüse oben	Quenching nozzle top
8	1	2066.0506	Schlauchschelle 20-32mm	Hose clamp 20-32mm
9	6	2066.0518	Schlauchklemme 30mm	Hose clamp 30mm
10	1	2610.420321	PP-Rohr 820mm lang Ablaufbelüftung	PP-pipe 820 mm drain vent
11	2	4016.0101	Entlüftungstülle 250mm ab 04/91	Vent grommet 250mm from 04/91
12	1	3014.0156	Fühler Ablöschung/Bypass	Sensor bypass/quenching
13	1	2022.0100	Silikondurchführung rot 15x4mm	Silicone gasket red
14	1	4007.0600	Kabelverschraubung PG 9 Metall	Cable connection PG9
15	1	2071.0102	Bypassrohr Typ 20 ab 04/91	Bypass pipe type 20 from 04/91
16	1	1315.0104	Kupferdichtung 16x20x1,5	Copper washer 16x20x1,5
17	1	2016.0920	Bypassdüse ab 04/91	Bypass nozzle from 4/91
18	1	2022.0201	Abflußkrümmer ab 04/91	Drain elbow from 04/91
19	1	2062.0301	Winkelschlauchfitting WS 10	Angle fitting plastic WS 10
20	1	2022.0202	Schlauchstutzen 40mm SC-Pumpe	Hose connection piece 40 mm SC-pump
21	1	2644.250288	PP-Rohr 300mm Pumpenanschluß	PP-pipe 300 mm pump connection
22	1	2066.0520	Schlauchklemme d 47 mm	Hose clamp 47 mm
23	10	2022.0101	Durchführungstülle 18 mm	Grommet 18 mm
24	1	4007.0606	Kabelverschraubung PG36 mit Zugentlastung	Cable connection PG36 strain relief
25	1	4007.0607	Polyamid Sechskantmutter für PG36	Lock nut for PG36 polyamid
26	4	1106.0160	Sechskantmutter M6	Hex nut M6
27	1	5012.0555	Dichtung Bodenablauf ab 04/91	gasket for drain from 04/91
28	4	1306.0221	Unterlegscheibe A6,4 DIN9021	Washer A6,4 DIN125
29	1	2510.080149	Verkleidungsblech rechts Typ 20	Side panel right type 20
30	1	8402.0042	Bodenverkleidung links mit Handbrause	Bottom flank cover left with hand shower
31	1	3101.1008	Kühllüfter	Cooling motor

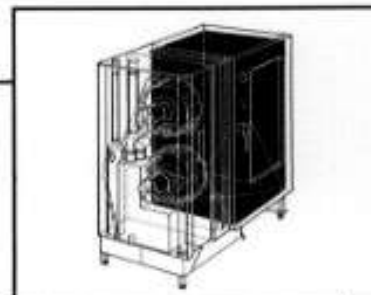


Interior Cabinet

Component Group	Page	Edition	applicable from Serial No.
7	7.1	7.1.1	20M 87 09 1001

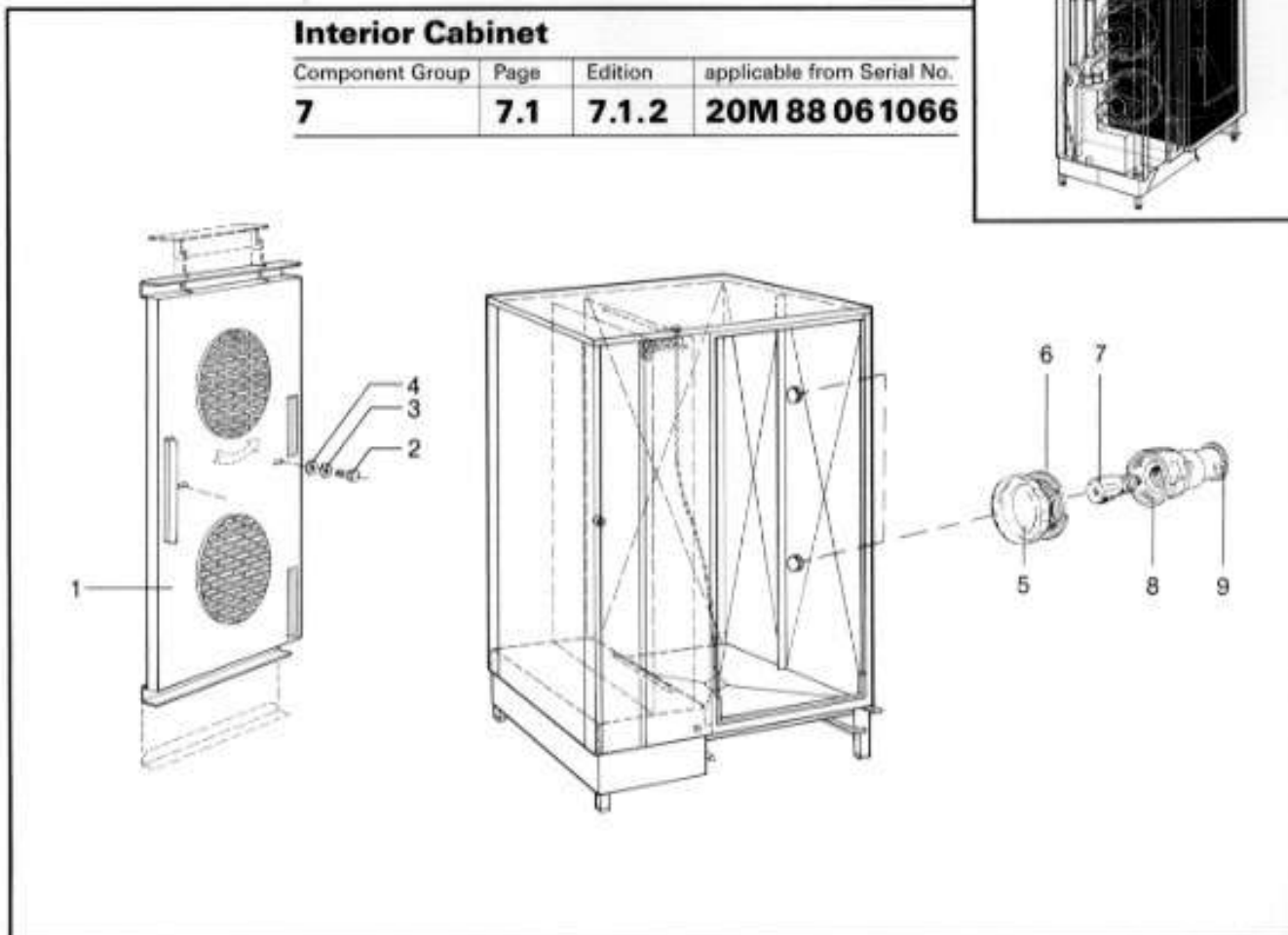


Pos.	Pcs.	Sp.	Part No.	Description	Sign
-	2		3023.0501	interior lamp, complete	
1	1		8011.1000	air baffle	
2	2		2010.0710	fat filter	
3	2		5012.0509	gasket for lamp lens	
4	2		3024.0200	bulb, heat-resistant	
5	2		5012.0508	gasket for lamp lens	
6	2		3025.0002	lamp lens	
7	2		3035.0003	metal ring	
8	2		3023.0502	socket for interior lamp	H1,H2
9	2		2580.980589	insulation paper	

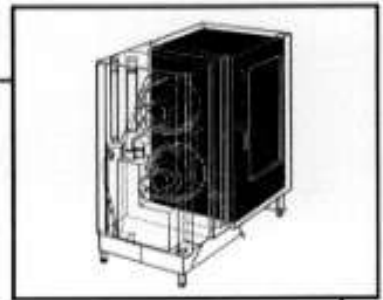


Interior Cabinet

Component Group	Page	Edition	applicable from Serial No.
7	7.1	7.1.2	20M 88 06 1066

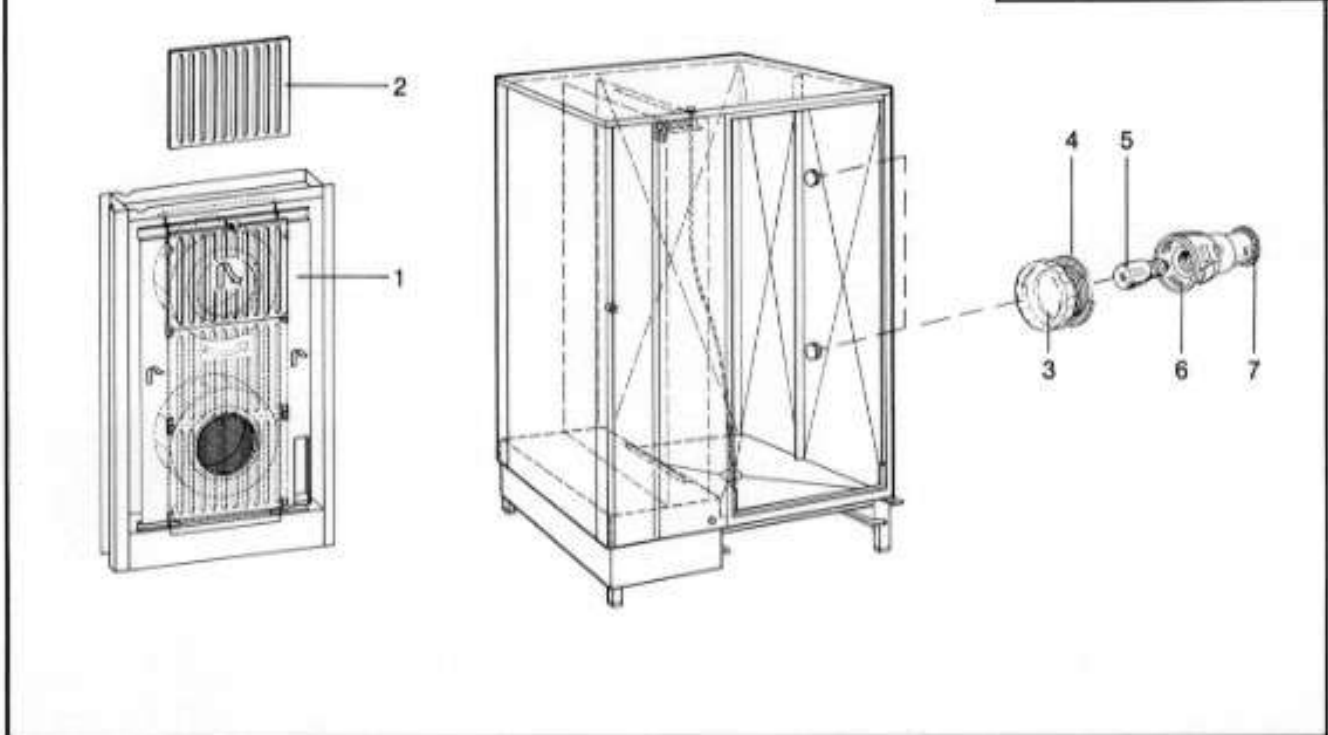


Pos.	Pcs.	Sp. Part No.	Description	Sign
-	2	3023.0501	interior lamp complete	
1	1	8011.1100	air baffle	
2	2	1008.0763	hex screw M 8x20	
3	2	1208.0160	toothed lock washer A 8,4	
4	2	1308.0160	washer A 8,4	
5	2	3025.0002	lamp lens	
6	2	5012.0535	gasket lamp lens	
7	2	3024.0200	bulb, heat-resistant	
8	2	3023.0502	socket for interior lamp	
9	2	2580.980589	insulation paper	



Interior Cabinet

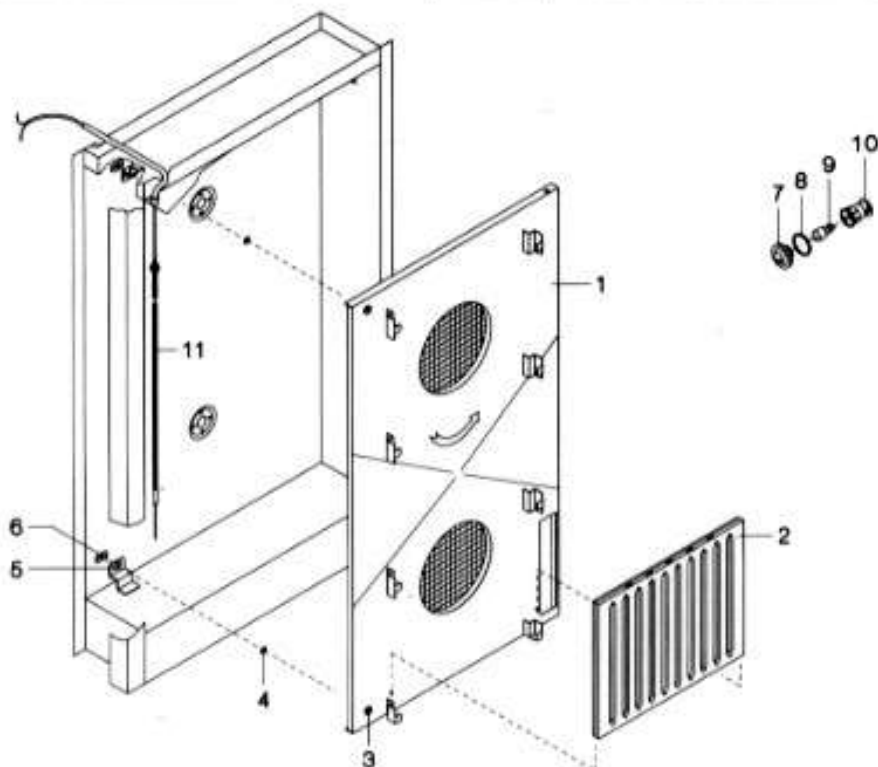
Component Group	Page	Edition	applicable from Serial No.
7	7.1	7.1.3	20M 90 01 1019



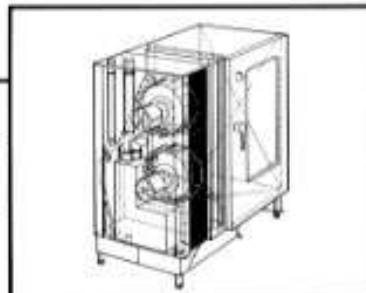
Pos.	Pcs.	Sp.	Part No.	Description	Sign
-	2		3023.0501	interior lamp complete	
1	1		8011.1102	air baffle	
1	1		8011.1103	air baffle (option)	
2	3		2010.0715	fat filter (option)	
-	1		8000.0030	retrofit kit (incl. Pos. 2)	
3	2		3025.0002	lamp lens	
4	2		5012.0535	gasket lamp lens	
5	2		3024.0200	bulb, heat-resistant	
6	2		3023.0502	socket for interior lamp	
7	2		2580.980589	insulation paper	

Interior Cabinet

Voltage	Group	Page	Edition	Application from Serial. No.
3 N AC 380V 50Hz	7	7.1	7.1.4	20M91042001

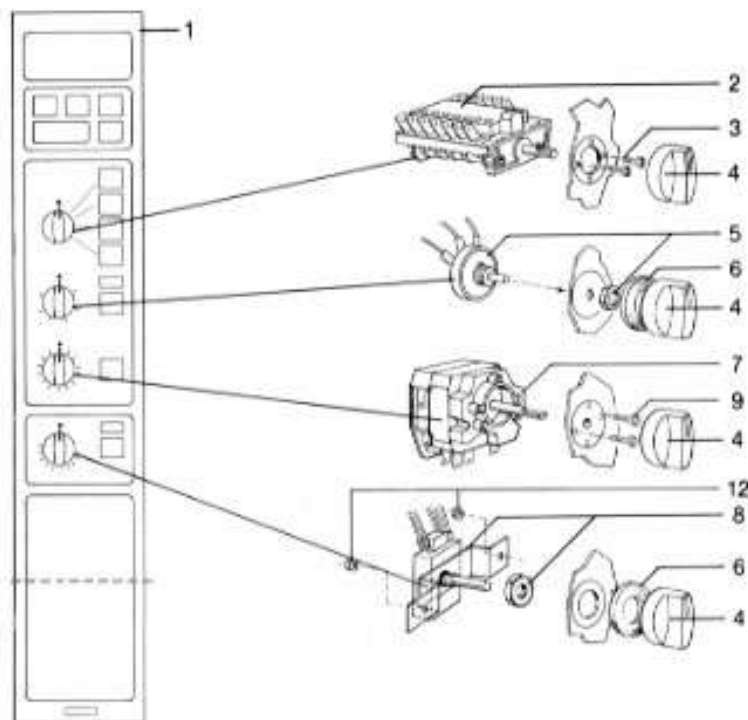


Pos.	Pcs.	Sp.	Part No.	Description	Sign.
-	2		3023.0501	interior lamp cpl.	
1	1		8011.1112	air baffle cpl.	
-	1		8000.0030	retrofit kit fat filter (incl. Pos. 2)	
2	2		2010.0715	fat filter (option)	
3	2		2043.0201	locking pin	
4	2		2043.0203	holder plate for quick acting closure	
5	2		2043.0202	locking tappet	
6	4		1604.0162	rivet 4x9mm	
7	2		3025.0002	lamp lens	
8	2		5012.0535	gasket	
9	2		3024.0200	bulb, heat resistant	
10	2		3023.0506	socket for interior lamp	H1,H2
11	1		3035.0608	sensor core temperature	

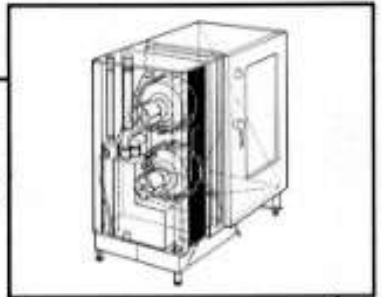


Control Panel

Component Group	Page	Edition	applicable from Serial No.
1	1.1	1.1.1	20M 87 09 1001

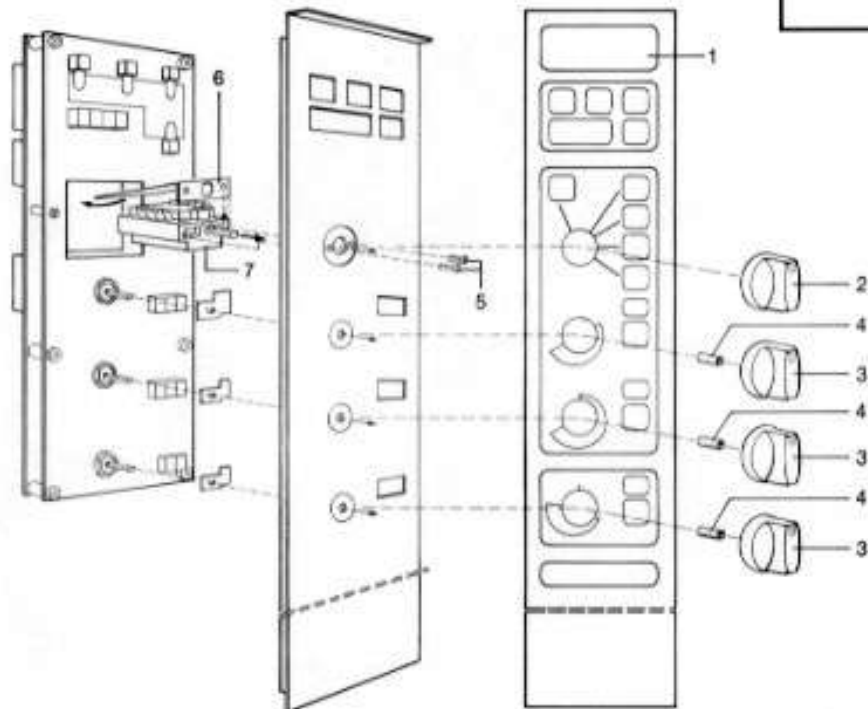


Pos.	Pcs.	Sp. Part No.	Description	Sign
1	1	2049.0613	control panel	
2	1	3016.1600	mode switch block	S1
3	2	1004.0061	slotted pan head screw M 4x8	
4	4	3013.0329	dial	
5	1	3040.0150	poti hot air	
6	2	5012.0530	gasket	
7	1	3013.0101	timer 120 min	S2
8	1	3040.0151	poti core temp	S4,R2
9	2	1003.0224	cylinder sheet screw	
10	4	3013.0326	dial	
11	4	3013.0328	dial-cover	
12	2	1106.0801	hex combi nut	



Control Panel

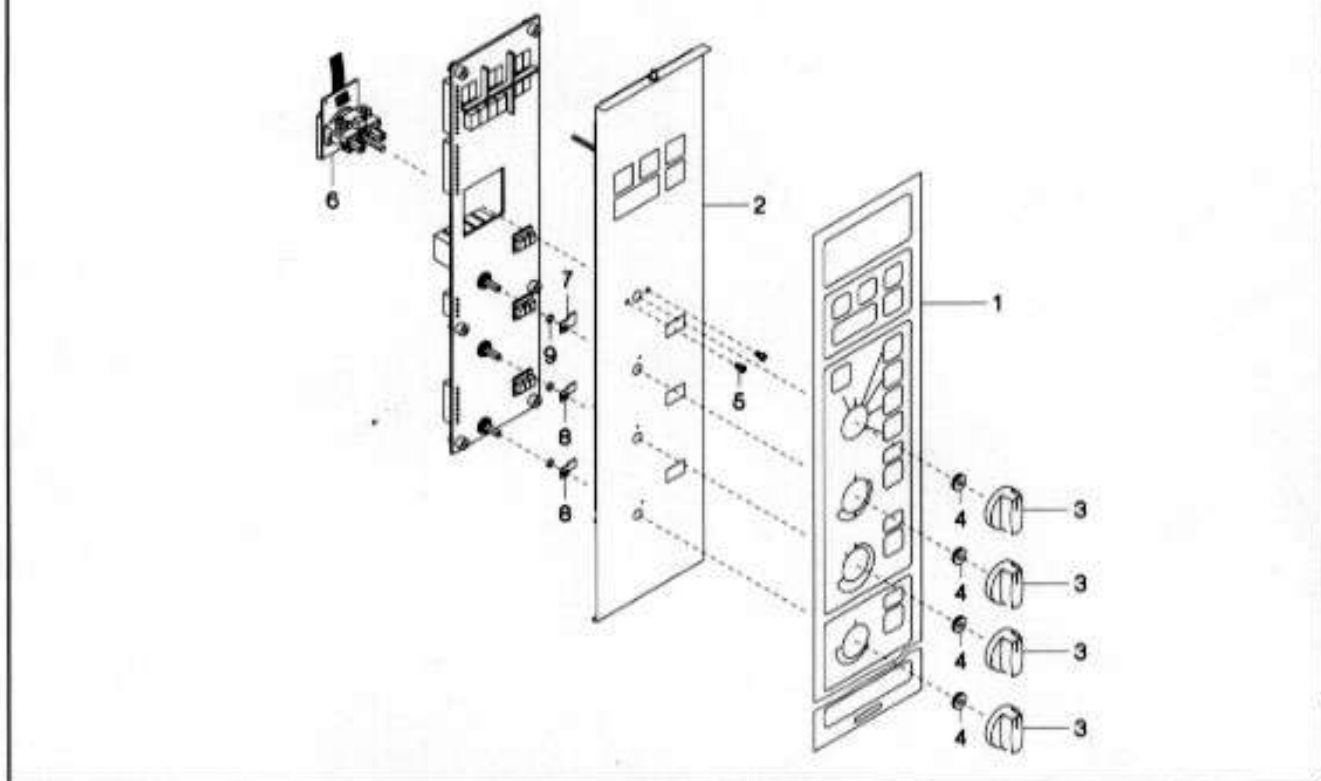
Component Group	Page	Edition	applicable from Serial No.
1	1.1	1.1.2	20M 89 04 1049



Pos.	Pcs.	Sp.	Part No.	Description	Sign
1	1		2049.0715	control panel	
2	1		3013.0330	dial for mode switch block	
3	3		3013.0331	dial for poti	
4	3		2022.0104	bushing	
5	2		1004.0061	slotted pan head screw M 4x8	
6	1		2510.390772	insulation paper	
7	1		3016.1630	mode switch block	

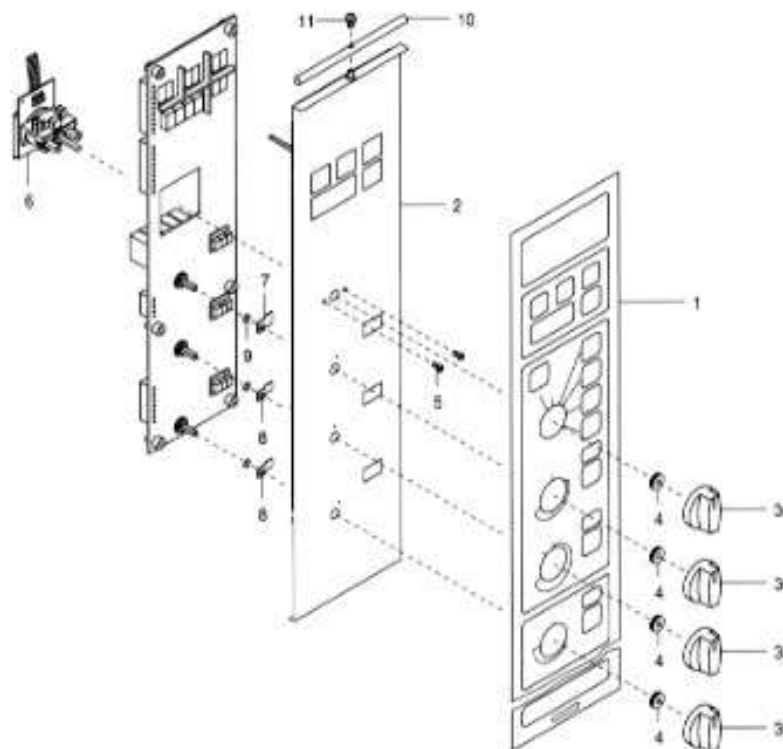
Control Panel

Voltage	Group	Page	Edition	Application from Serial. No.
3 N AC 380V 50Hz	1	1.1	1.1.3	20M91042001

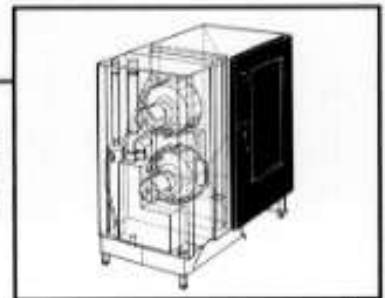


Pos.	Pcs.	Sp. Part No.	Description	Sign.
1	1	2049.0823	control panel	
2	1	8600.01020489	front panel	
3	4	3013.0330	dial	
4	3	2022.0104	grommet	
5	2	1004.0061	slotted pan head screw M4x8	
6	1	3016.1631	mode switch block	S1
7	1	2510.530746	stop for poti hot air	
8	2	2510.520731	stop for poti core temp./timer	
9	3	1315.0101	copper washer	

Bedienblende Control Panel	Spannung Voltage	Baugruppe Group	Ausgabe Edition	gültig ab Seriennummer Applicable from Serial.No.
	3 N AC 400V 50Hz	1	1.1.4	20M96011001

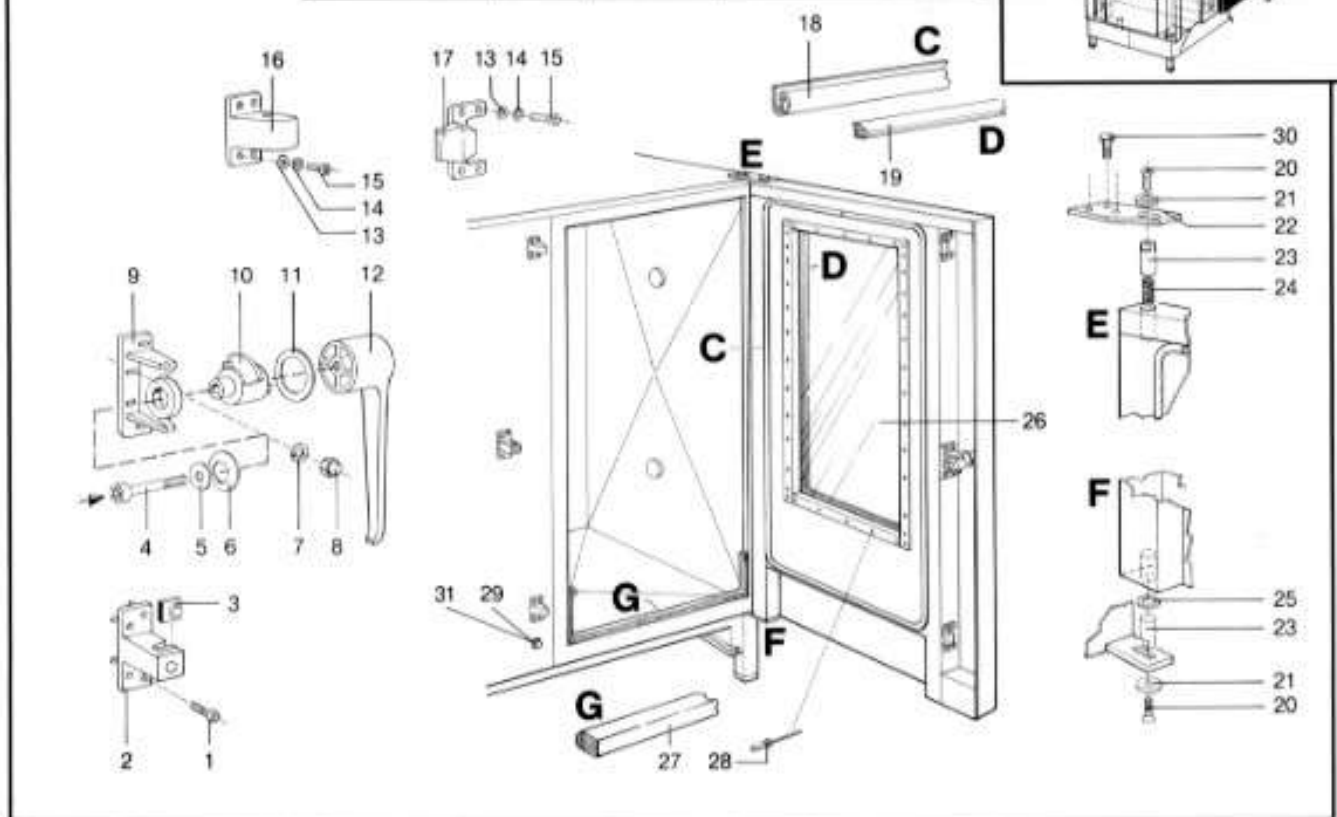


Pos.	St.	Ersatz.Nr.	Bezeichnung	Description
Pos.	Pcs.	Sp. Part No.		
1	1	2049.0823	Blende	Control panel
2	1	8600.01020489	Frontplatte geschweißt	Front panel welded
3	4	3013.0330	Knebel blau Typ CM ab 04/89	Dial blue type CM
4	4	2022.0104	Durchführungstülle 16 mm	Grommet 16mm
5	2	1004.0061	Zylinderschraube mit Schlitz M4x8	Slotted pan head srew M4x8
6	1	3016.1631	Betriebsartenschalter CM	Mode switch block CM
7	1	2510.530746	Arretierung für Poti Heißluft	Stop for potentiometer hot air
8	2	2510.520731	Arretierung für Poti KT und Uhr	Stop for potentiometer CT and timer
9	3	1315.0101	Kupferdichtung 6x10	Copper washer 6x10 mm
10	1	5012.0556	Dichtung für Bedienblende	Front panel gasket
11	1	1005.2000	Sperrzahnschraube M5x8	Interlocking tooth screw M5x8

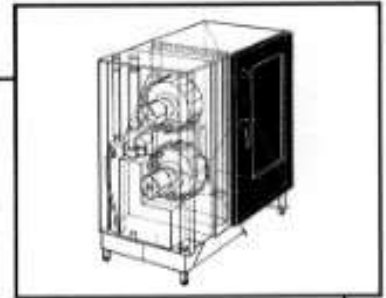


Door

Component Group	Page	Edition	applicable from Serial No.
8	8.1	8.1.1	20M 87 09 1001

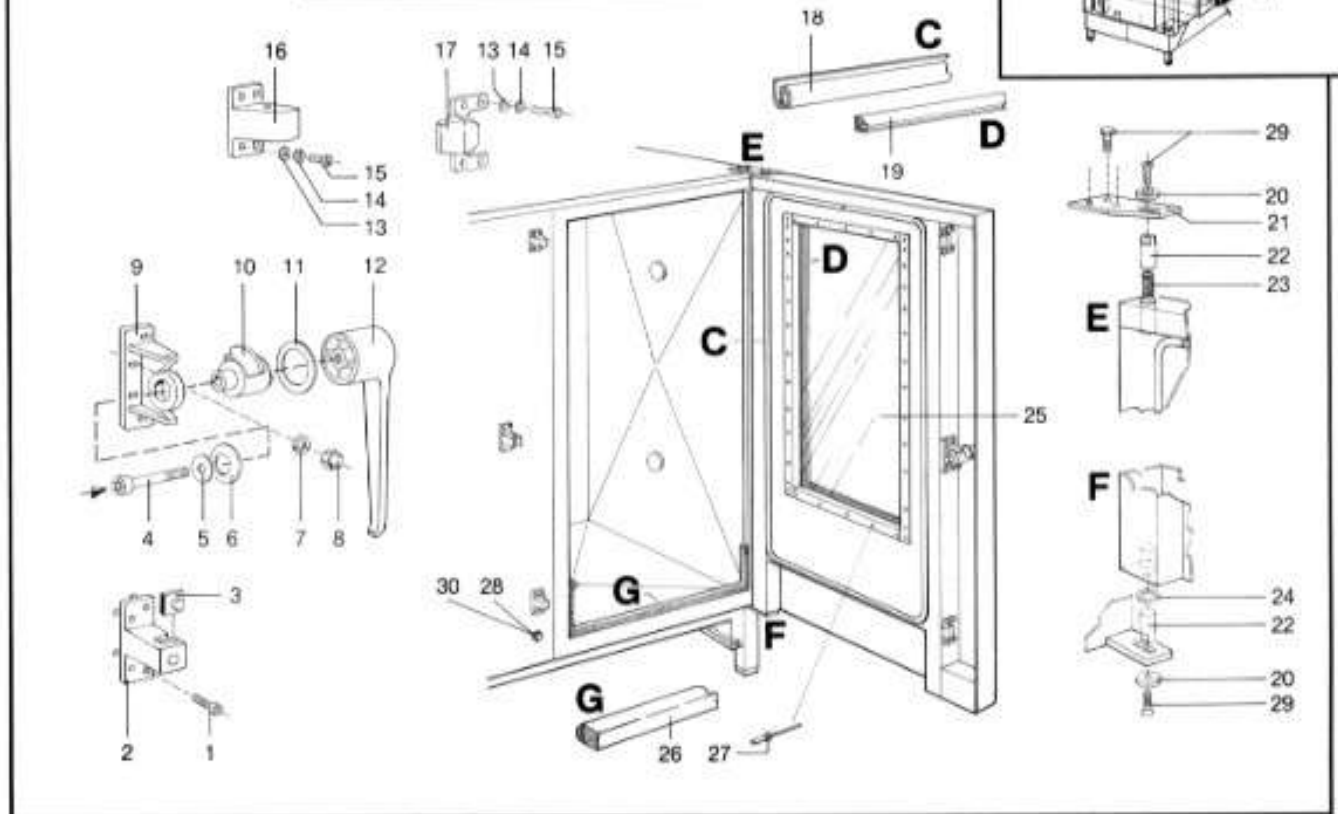


Pos.	Pcs.	Sp.	Part No.	Description	Sign	Pos.	Pcs.	Sp.	Part No.	Description	Sign
-	1		8202.7100	door complete		27	1		5012.0551	set gasket for HGW	
-	1		2016.1400	door lock complete (pos. 12,11,10,9,6,5,4)		28	50		1603.0165	rivet	
1	4		1006.1960	socket countersunk head screw M 6x16		29	1		3016.1400	door switch	S3
2	1		2016.0603	door catch		30	5		1008.0763	socket countersunk head screw M 8x20	
3	1		2016.0605	plastic insert		31	1		4016.0500	grommet	
4	1		2016.1456	hex socket head cap screw M 10x70							
5	1		2016.1454	washer A 10,5							
6	1		2016.1455	disc spring A 40x20							
7	4		1306.0120	washer A 6,4							
8	4		1106.0360	hex nut M6							
9	1		2016.1457	mounting base							
10	1		2016.1452	cam							
11	1		2016.1453	plastic washer							
12	1		2016.1450	door handle							
13	16		1305.0260	washer A 5,3							
14	16		1205.0360	spring washer							
15	16		1005.0661	hex socket head screw M 5x20							
16	2		2016.0604	ball catch female							
17	2		2016.1300	ball catch male							
18	1		5012.0702	set door gasket							
19	1		5012.0204	set window gasket							
20	2		1008.1960	socket countersunk head screw M 8x30							
21	2		2031.0800	rosette							
22	1		2580.960495	holder plate							
23	2		2016.0802	door bolt							
24	1		2001.0104	compression spring							
25	1		2031.0900	washer							
26	1		5015.0804	door window							

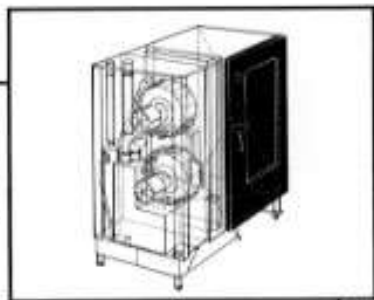


Door

Component Group	Page	Edition	applicable from Serial No.
8	8.1	8.1.2	20M 88 09 1141

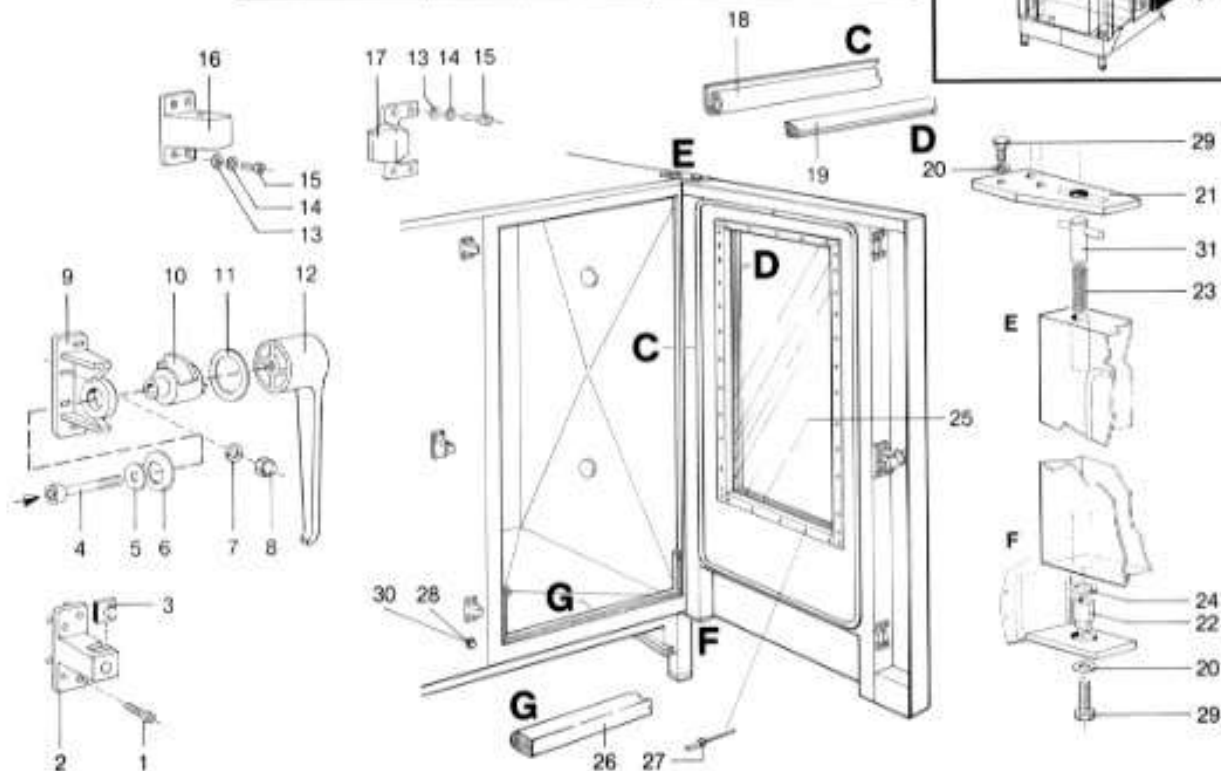


Pos.	Pcs.	Sp.	Part No.	Description	Sign	Pos.	Pcs.	Sp.	Part No.	Description	Sign
-	1		8202.7100	door complete		28	1		3016.1400	door switch	S3
-	1		2016.1400	door lock complete		29	5		1008.0763	socket countersunk head screw M 8x20	
1	4		1006.1960	socket countersunk head screw M 6x16		30	1		4016.0500	grommet	
2	1		2016.0603	door catch							
3	1		2016.0605	plastic insert							
4	1		2016.1456	hex socket head cap screw M 10x70							
5	1		2016.1454	washer A 10,5							
6	1		2016.1455	disc spring A 40x20							
7	4		1306.0120	washer A 6,4							
8	4		1106.0360	hex nut M6							
9	1		2016.1457	mounting base							
10	1		2016.1452	cam							
11	1		2016.1453	plastic washer							
12	1		2016.1450	door handle							
13	16		1305.0260	washer A 5,3							
14	16		1205.0360	spring washer							
15	16		1005.0661	hex socket head screw M 5x20							
16	2		2016.0604	ball catch female							
17	2		2016.1300	ball catch male							
18	1		5012.0702	set door gasket							
19	1		5012.0204	set window gasket							
20	2		1310.0160	washer							
21	1		2580.960495	holder plate							
22	2		2016.0802	door bolt							
23	1		2001.0104	compression spring							
24	1		2031.0900	washer							
25	1		5015.0804	door window							
26	1		5012.0551	set gasket for HGW							
27	50		1603.0165	rivet							



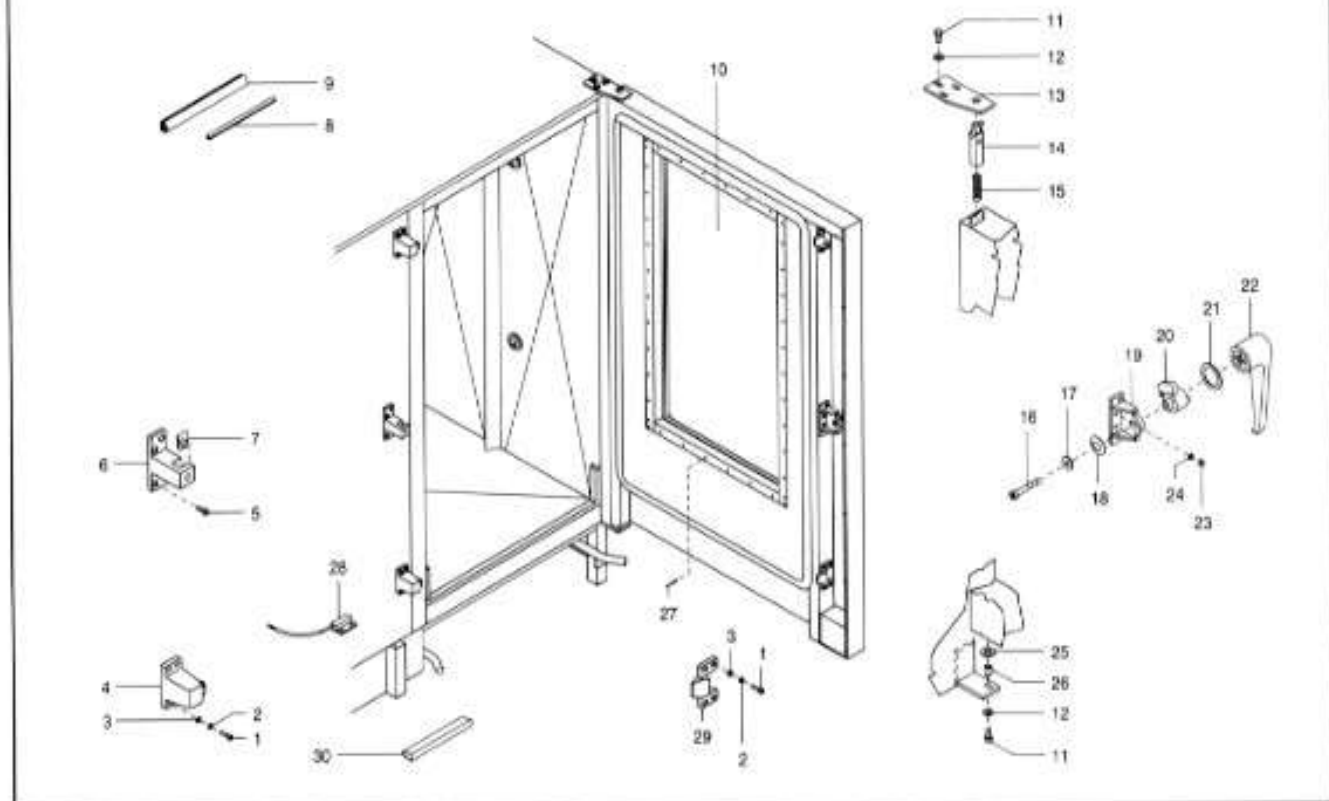
Door

Component Group	Page	Edition	applicable from Serial No.
8	8.1	8.1.3	20M 89 04 1049



Pos.	Pcs.	Sp.	Part No.	Description	Sign	Pos.	Pcs.	Sp.	Part No.	Description	Sign
-	1		8202.71000489	door complete		26	1		5012.0551	set gasket for HGW	
-	1		2016.1400	door lock complete (pos. 12, 11, 10, 9, 6, 5, 4)		27	50		1603.0165	rivet	
1	4		1006.1960	socket countersunk head screw M 6x16		28	1		3016.1400	door switch	S3
2	1		2016.0603	door catch		29	5		1008.0763	hex screw M 8x20	
3	1		2016.0605	plastic insert		30	1		4016.0500	grommet	
4	1		2016.1456	hex socket head cap screw M 10x70		31	1		2031.0866	locking knob	
5	1		2016.1454	washer A 10,5							
6	1		2016.1455	disc spring A 40x20							
7	4		1306.0120	washer A 6,4							
8	4		1106.0360	hex cap nut M6							
9	1		2016.1457	mounting base							
10	1		2016.1452	cam							
11	1		2016.1453	plastic washer							
12	1		2016.1450	door handle							
13	16		1305.0260	washer A 5,3							
14	16		1205.0360	spring washer							
15	16		1005.0661	hex socket head cap screw M 5x20							
16	2		2016.0604	ball catch female							
17	2		2016.1300	ball catch male							
18	1		5012.0702	set door gasket							
19	1		5012.0204	set window gasket							
20	4		1310.0160	washer A 10,5							
21	1		2680.960168	holder plate							
22	1		2016.0802	door bolt							
23	1		2001.0106	compression spring							
24	1		2031.0900	washer							
25	1		5015.0804	door window							

Gerätetür	Spannung	Baugruppe	Ausgabe	gültig ab Seriennummer
Door	Voltage	Group	Edition	Applicable from Serial.No.
	3 N AC 400V 50Hz	B	B.1.4	20M96011001

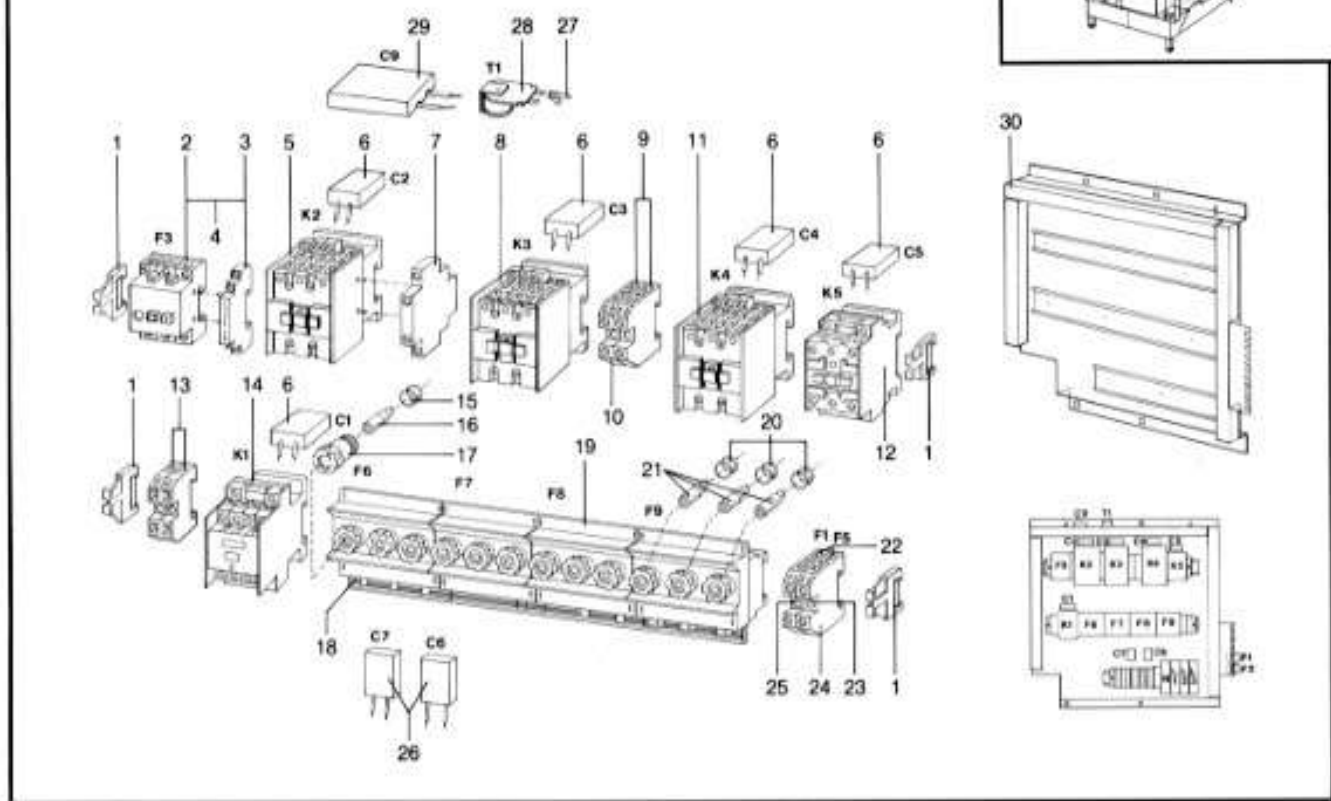


Pos.	St.	Ersatz.Nr.	Bezeichnung	Description
Pos.	Pcs.	Sp. Part No.		
-	1	8202.75000489	Türe kpl. Typ 20, ohne Griff	Door cpl. type 20 without handle
-	1	2016.1400	Türschloß kpl.	Door lock cpl.
1	16	1005.0661	Zylinderschraube mit Innensechskant M5x20	Hex socket head screw M5x20
2	16	1205.0360	Federring d5	Spring-washer d5
3	16	1305.0260	Unterlegscheibe A5,3 DIN9021	Washer A5,3 DIN9021
4	2	2016.0604	Schließblock	Ball catch
5	4	1006.1960	Senkschraube mit Innensechskant M6x16	Hex socket countersunk head screw M6x16
6	1	2016.0603	Schließkloben	Door catch
7	1	2016.0605	Kunststoffeinsatz für Schließkloben	Plastic insert for door catch
8	1	5012.0204	Satz Dichtung für Scheibe 5,8 m Typ 20	Set gasket for washer 5,8 m type 20
9	1	5012.0702	Satz Türdichtung Typ 20	Set door gasket for type 20
10	1	5015.0804	Glasscheibe Typ 20	Door window CD/CM 20
11	4	1008.0763	Sechskantschraube M8x20	Hex screw M8x20
12	4	1310.0160	Unterlegscheibe A10,5	Washer A 10,5
13	1	2680.960168	Türhalteplatte ab 04/89	Bracket top for door
14	1	2016.0866	Rastknebel für Türe ab 04/89	Door stopping bolt cpl.
15	1	2001.0106	Druckfeder Tür ab 04/89	Compression spring door
16	1	2016.1456	Zylinderschraube mit Innensechskant M10x70	Hex socket head screw M10x70
17	1	2016.1454	Unterlegscheibe A10,5 für Türschloß	Washer A10,5 for door lock
18	1	2016.1455	Tellerfeder A40x20 für Türschloß	Disc spring A40x20 for door lock
19	1	2016.1457	Lagerbock	Mounting base
20	1	2016.1452	Schnecke	Cam
21	1	2016.1453	Kunststoffscheibe f. Türschloß	Plastic washer
22	1	2016.1450	Türgriff	Door handle
23	4	1106.0360	Hutmutter M6, hohe Form	Cap nut M6, high shape
24	4	1306.0120	Unterlegscheibe A6,4 DIN125	Washer A6,4
25	1	2031.0900	Unterlegscheibe d15 für Türe bis 04/89	Washer 15 mm door 201/20 up to 4/89
26	1	2016.0802	Türhaltebolzen d15x20	Door bolt d15x20
27	50	1603.0165	Blindniete 3,2x9,5	Rivet 3.2x9.5, CNS closed
28	1	3016.1415	Türkontaktschalter	Door contact switch
29	2	2016.1300	Schließplatte	Ball catch male
30	1	5012.0551	Satz Dichtung für HGW Typ 20	Set gasket for CD/CM 20

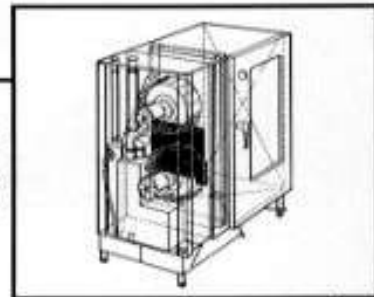


Electrical Installation

Component Group	Page	Edition	applicable from Serial No.
2	2.1	2.1.1	20M 87 09 1001

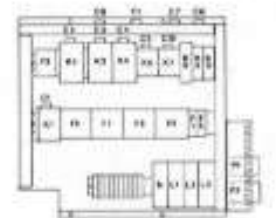
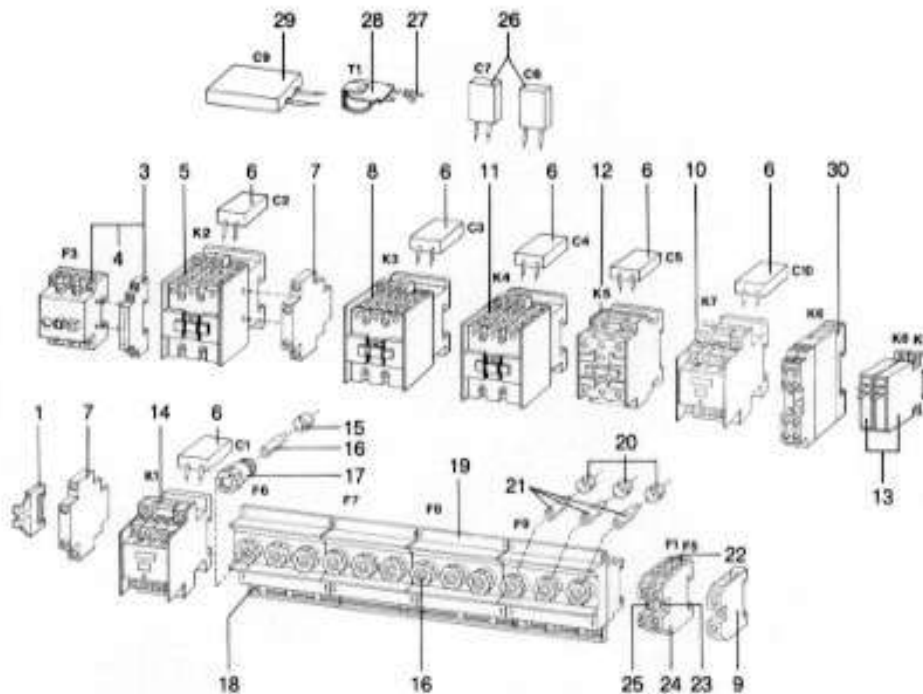


Pos.	Pcs.	Sp.	Part No.	Description	Sign	Pos.	Pcs.	Sp.	Part No.	Description	Sign
1	4		4001.1203	end plate		27	2		4002.0103	branch terminal	
2	-		3031.0108	motor protector		28	1		3006.0101	buzzer	T1
3	-		3031.0102	auxiliary contact for F3		29	2		3035.0509	RC-link	
4	1		3031.0103	motor protector with auxiliary contact	F3	30	1		4006.0701	cable shaft	
5	1		3028.0102	contactor for hot air heating	K2						
6	5		3035.0514	RC-link	C1-C5						
7	3		3028.0150	auxiliary contact for K2	K2						
8	1		3028.0102	contactor for hot air heating	K3						
9	2		4001.1252	terminal block 35 mm ²							
10	1		4001.1220	connecting angle for 35 mm ²							
11	1		3028.0102	contactor for steam generator heating	K4						
12	1		3028.0101	contactor for steam generator heating	K5						
13	2		4001.1176	multi connector							
14	1		3028.0100	motor contactor	K1						
15	9		4001.1241	insert 50 A							
16	9		3019.0404	fuse 50 A							
17	12		4001.1235	screw cap							
18	1		4001.1211	multiple rail block 250 mm long							
19	4		4001.1234	fuse holder block							
20	3		4001.1240	insert 35 A							
21	3		3019.0403	fuse 35 A							
22	2		4001.1228	fuse holder	F1,F5						
23	1		3019.0400	fuse 0.5 A	F5						
24	1		4001.1227	end plate							
25	1		3019.0120	fuse 2 A	F1						
26	2		3035.0508	RC-link	C6,C7						



Electrical Installation

Component Group	Page	Edition	applicable from Serial No.
2	2.1	2.1.2	20M 88 06 1066

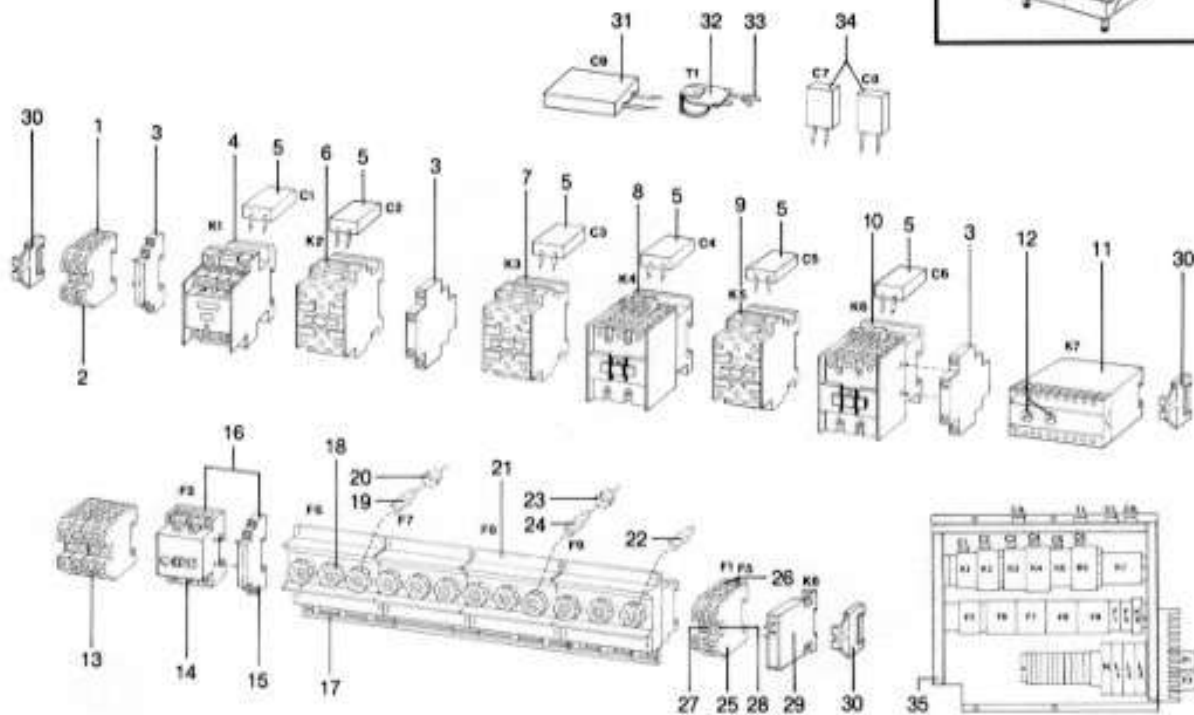


Pos.	Pcs.	Sp. Part No.	Description	Sign	Pos.	Pcs.	Sp. Part No.	Description	Sign
1	4	4001.1203	end plate		27	2	4002.0103	branch terminal	
3	-	3031.0102	auxiliary contact for F3		28	1	3006.0101	buzzer	T1
4	1	3031.0108	motor protector with auxiliary contact	F3	29	2	3035.0509	RC-link	
5	1	3028.0102	contactor for hot air heating	K2	30	1	3035.0402	time relay	K8
6	5	3035.0514	RC-link	C1-C5 /C10	31	1	4006.0701	cable shaft	
7	3	3028.0150	auxiliary contact for K2	K2					
8	1	3028.0102	contactor for hot air heating	K3					
9	2	4001.1250	terminal block 16 mm ² blue						
10	1	3028.0103	contactor for motor brake	K7					
11	1	3028.0102	contactor for steam generator heating	K4					
12	1	3028.0101	contactor for steam generator heating	K5					
13	2	3035.0453	time relay	K8,K9					
14	1	3028.0100	motor contactor	K1					
15	9	4001.1241	insert 50 A						
16	9	3019.0404	fuse 50 A						
17	12	4001.1235	screw cap						
18	1	4001.1211	multiple rail block 250 mm long						
19	4	4001.1234	fuse holder block						
20	3	4001.1240	insert 35 A						
21	3	3019.0403	fuse 35 A						
22	2	4001.1228	fuse holder	F1,F5					
23	1	3019.0400	fuse 0,5 A	F5					
24	1	4001.1227	end plate						
25	1	3019.0120	fuse 2 A	F1					
26	2	3035.0508	RC-link	C6,C7					



Electrical Installation

Component Group	Page	Edition	applicable from Serial No.
2	2.1	2.1.3	20M 89 04 1049

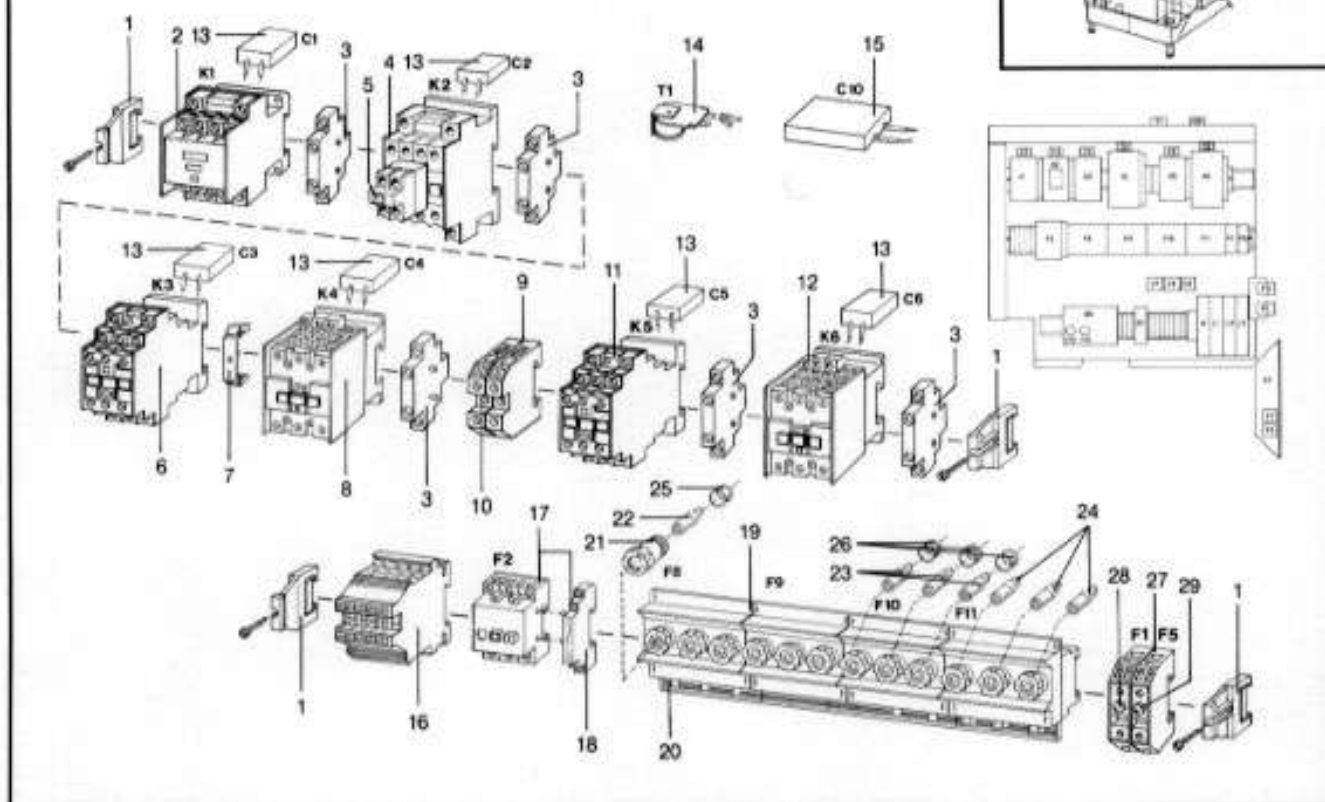


Pos.	Pcs.	Sp.	Part No.	Description	Sign	Pos.	Pcs.	Sp.	Part No.	Description	Sign
1	2		4001.1252	terminal block grey 35mm ²		23	3		4001.1239	insert 25 A	
2	1		4001.1220	connecting angle for 35mm		24	3		3019.0402	fuse 25A	F8
3	3		3028.0150	auxiliary contact for K2	K2	25	1		4001.1227	end plate	
4	1		3028.0100	motor contactor	K1	26	2		4001.1228	fuse holder	F1,F5
5	6		3035.0514	RC-link	C1-C5	27	1		3019.0120	fuse 2A	F1
6	1		3028.0101	contactor for hot air heating	K2	28	1		3019.0400	fuse 0,5A	F5
7	1		3028.0101	contactor for hot air heating	K3	29	1		3035.0404	time relay	K3
8	1		3028.0102	contactor for hot air heating	K4	30	2		4001.1203	end plate	
9	1		3028.0101	contactor for steam generator heating	K5	31	1		3035.0509	RC-link	C9
10	1		3028.0102	contactor for steam generator heating	K6	32	1		3006.0101	buzzer	T1
11	1		3031.0201	electronic motor brake	K7	33	2		4002.0103	branch terminal	
12	2		3019.0300	fuse 10 A	F10/ F11	34	2		3035.0508	RC-link	C7,C8
13	5		4001.1202	terminal block grey 16mm ²		35	1		4006.0701	cable shaft	
14	-		3031.0108	motor protector							
15	-		3031.0102	auxiliary contact for F3							
16	1		3031.0108	motor protector with auxiliary contact	F3						
17	1		4001.1211	multiple rail block 320 mm long							
18	12		4001.1235	screw cap							
19	6		3019.0404	fuse 50 A							
20	6		4001.1241	insert 50 A							
21	4		4001.1234	fuse holder block							
22	3		3019.0405	fuse 63 A	F9						



Electrical Installation

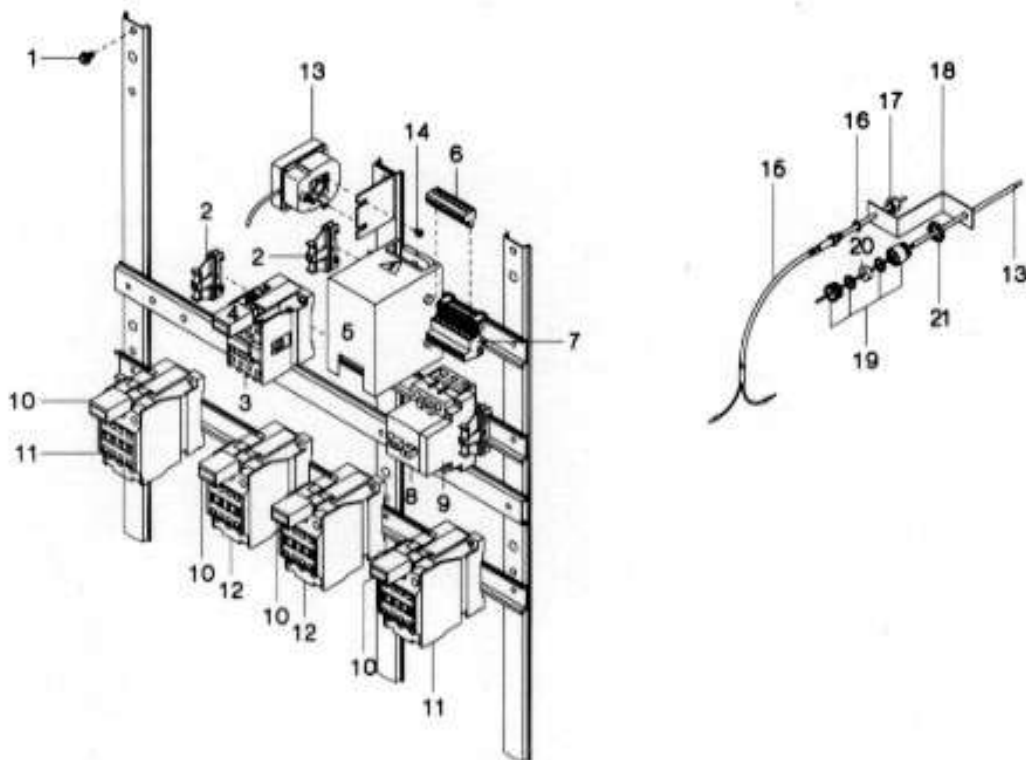
Component Group	Page	Edition	applicable from Serial No.
2	2.1	2.1.4	20M 89 10 4001



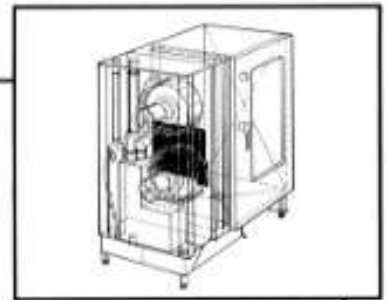
Pos.	Pcs.	Sp.	Part No.	Description	Sign	Pos.	Pcs.	Sp.	Part No.	Description	Sign
1	4		4001.1203	end plate		22	6		3019.0404	fuse 50 A	F8,F9
2	1		3028.0100	contactor for motor	K1	23	3		3019.0402	fuse 25 A	F10
3	5		3028.0150	auxiliary contact for contactor		24	3		3019.0405	fuse 63 A	F11
4	1		3028.0101	contactor for hot air heating	K2	25	6		4001.1241	insert 50 A	
5	1		3028.0151	auxiliary contact for contactor K2		26	3		4001.1239	insert 25 A	
6	1		3028.0101	contactor for reheating and hot air heating	K3	27	2		4001.1228	fuse holder	F1,F5
7	1		4001.1174	busbar carrier		28	1		3019.0120	fuse 2 A	F1
8	1		3028.0102	contactor for reheating and hot air heating	K4	29	1		3019.0400	fuse 0,5 A	F5
9	2		4001.1252	terminal block blue 35 mm ²							
10	1		4001.1220	assembly angle							
11	1		3028.0101	contactor for reheating and steam generator heating	K5						
12	1		3028.0101	contactor for steam generator heating	K6						
13	6		3035.0514	RC-link	C1-C6						
14	1		3006.0101	alarm buzzer	T1						
15	1		3035.0509	RC-link for alarm buzzer	C10						
16	5		4001.1209	terminal block grey 16 mm ²							
17	1		3031.0108	motor protector with auxiliary contact	F2						
18	-		3031.0102	auxiliary contact for motor protector F2							
19	4		4001.1234	fuse holder block	F8-F11						
20	1		4001.1211	multiple rail block							
21	12		4001.1235	screw cap							

Electrical Installation

Voltage	Group	Page	Edition	Application from Serial. No.
3 N AC 380V 50Hz	2	2.1	2.1.5	20M91042001

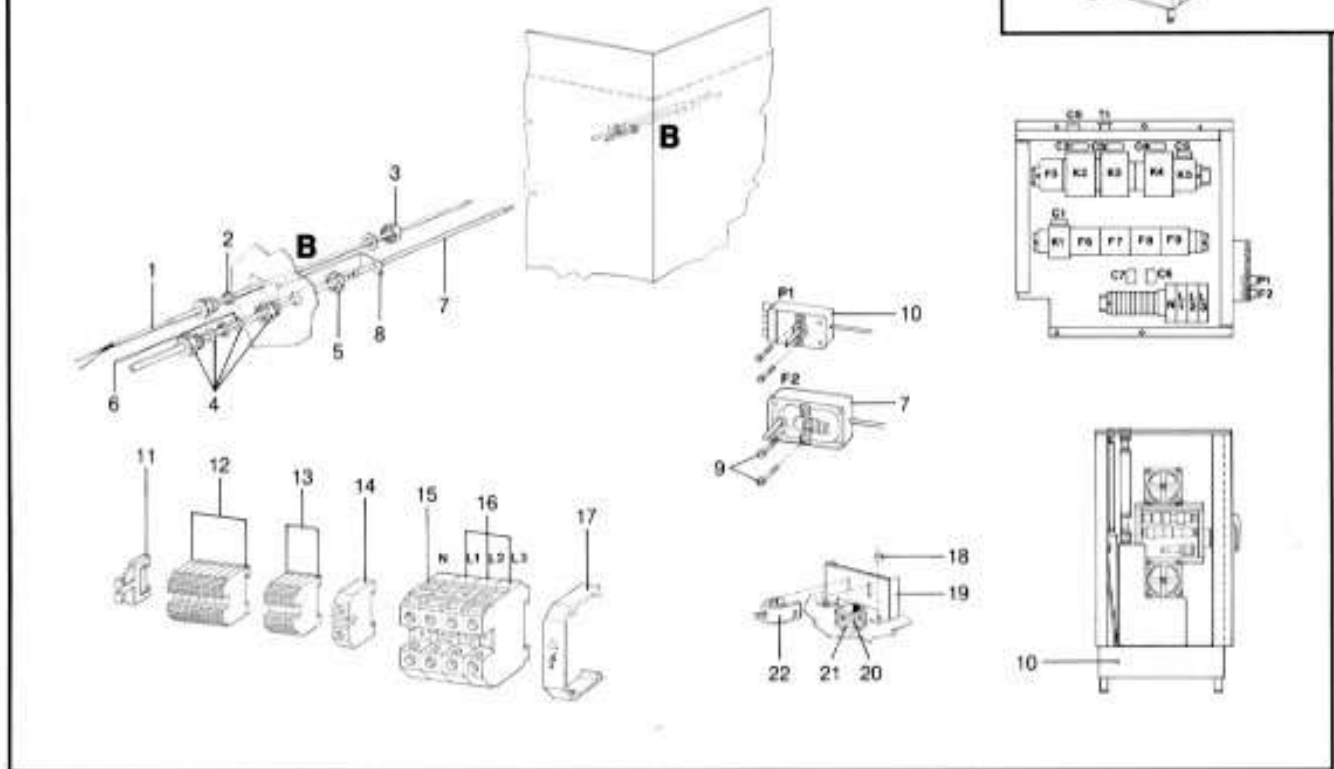


Pos.	Pcs.	Sp. Part No.	Description	Sign.
1	8	1005.200	safety screw M5x8	
2	5	4001.1203	end plate	
3	1	3028.0118	motor contactor	K2
4	1	3035.0516	varistor	VR
5	1	3031.0201	motor brake	K6
-	2	3019.0300	fuse 10A	F12,F13
6	1	3040.0177	plug-in module BL10	
7	1	3040.0178	multipoint connector BL10	
8	1	3031.0108	motor protector cpl.	F3
9	-	3031.0102	auxiliary contact for motor protector F3	
10	4	3035.0515	RC-link	C1-C4
11	2	3028.0512	contactor hot air	K3,K3.1
12	2	3028.0512	contactor steam generator	K4,K4.1
13	1	3014.0310	bi-limit safety thermostat 360°C	F4
14	2	1004.0060	slotted pan head screw M4x4	
15	1	3014.0151	interior cabinet sensor	E4
16	1	1315.0101	copper washer	
17	1	1106.0160	hex nut M6	
18	1	2520.400212	holding angle	
19	1	2022.0100	gasket	
20	1	4007.0600	cable connection PG9	
21	1	4007.0601	hex nut PG9	

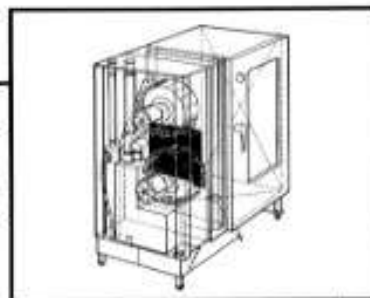


Electrical Installation

Component Group	Page	Edition	applicable from Serial No.
2	2.2	2.2.1	20M 87 09 1001

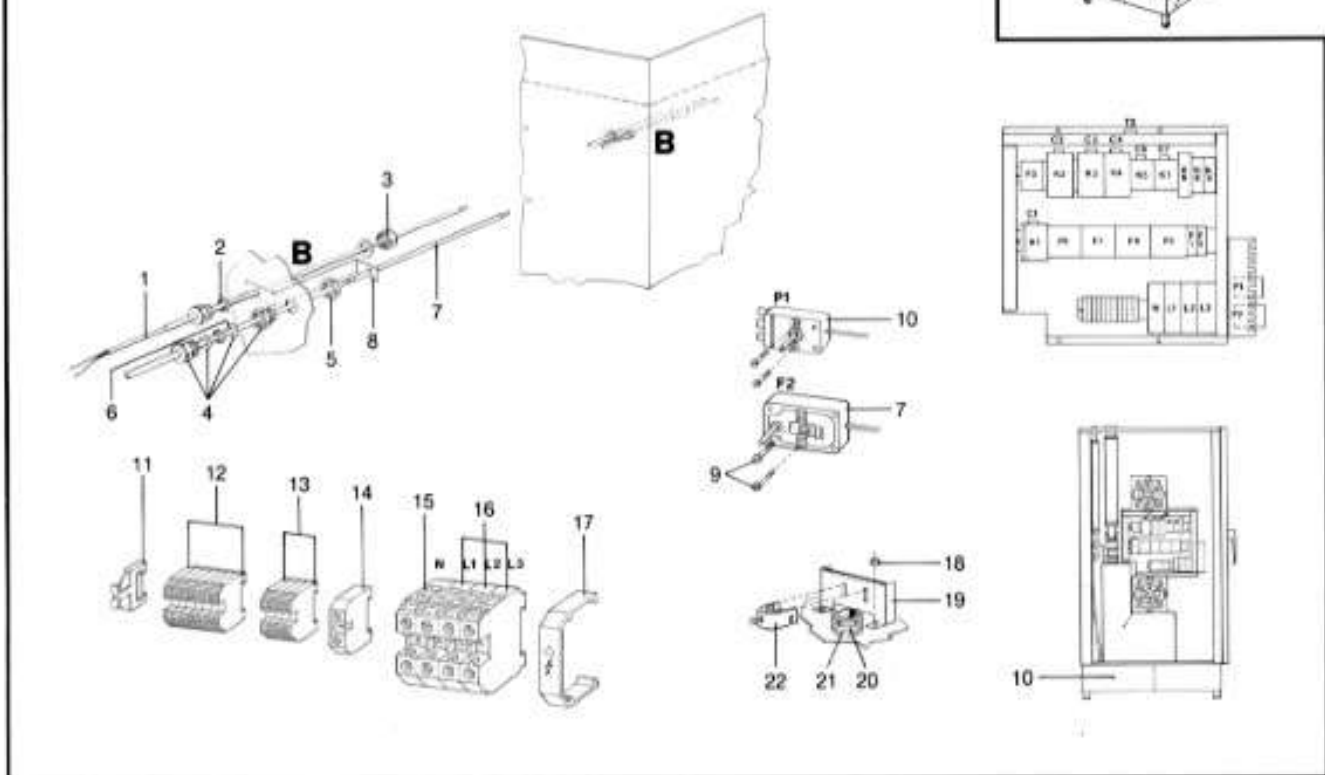


Pos.	Pcs.	Sp. Part No.	Description	Sign
1	1	3014.0151	sensor interior cabinet	B1
2	1	1315.0101	copper washer	
3	1	1106.0160	hex nut M6	
4	1	4007.0600	cable connection PG9	
5	1	4007.0601	lock nut for cable connection PG9	
6	1	2022.0100	gasket	
7	1	3014.0310	bi-limit safety thermostat	F2
8	1	2520.400212	holder for thermostat	
9	4	1004.0060	slotted pan head screw	
10	1	3014.0312	thermostat quenching system	P1
11	1	4001.1203	end plate	
12	7	4001.1177	multi connector	
13	4	4001.1176	multi connector	
14	1	4001.1233	terminal block yellow/green 35 mm ²	
15	1	4001.1253	terminal block blue 70 mm ²	
16	3	4001.1229	terminal block grey 70 mm ²	
17	4	4001.1231	cover	
18	2	1106.0801	combi-nut	
19	1	2510.180152	bracket	
20	1	4007.0602	cable connection PG36	
21	1	4007.0603	lock nut PG36	
22	1	4006.0410	tension release	



Electrical Installation

Component Group	Page	Edition	applicable from Serial No.
2	2.2	2.2.2	20M 88 06 1066

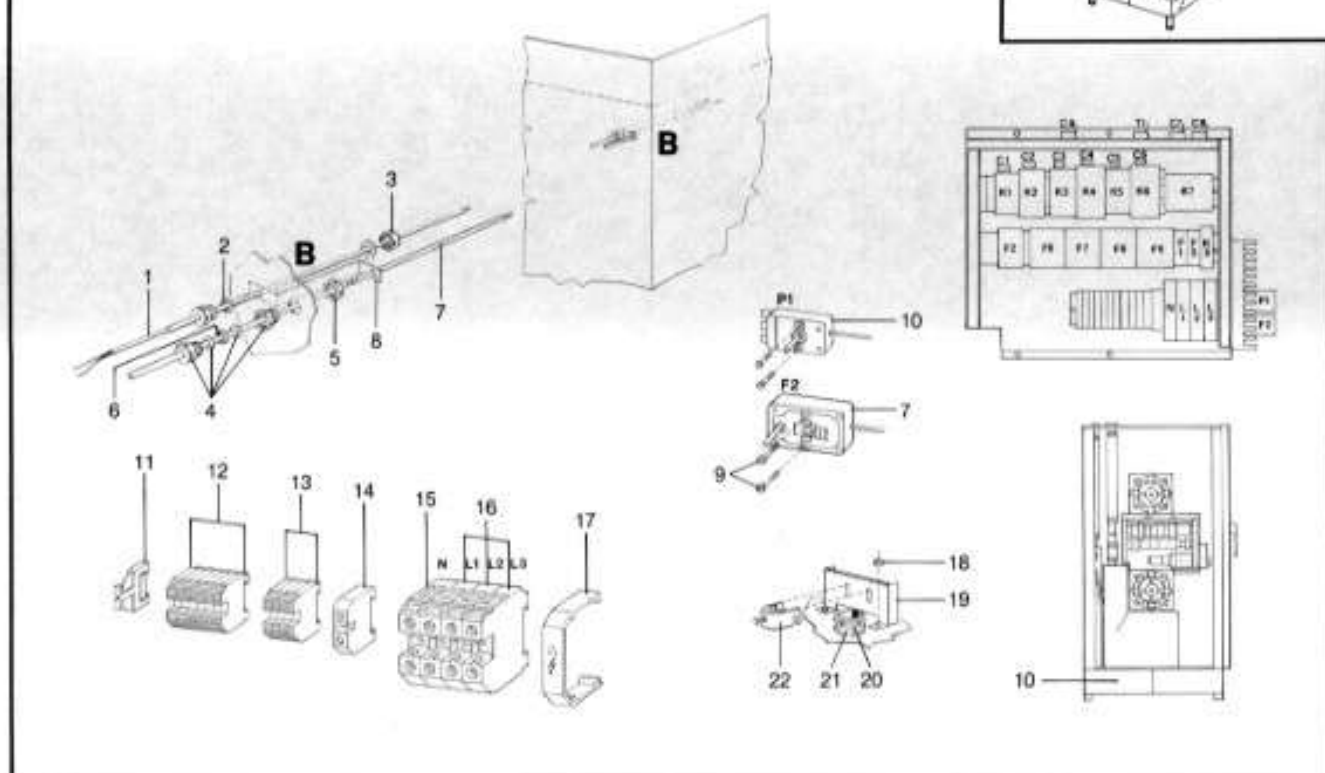


Pos.	Pcs.	Sp. Part No.	Description	Sign
1	1	3014.0151	sensor interior cabinet	B1
2	1	1315.0101	copper washer	
3	1	1106.0160	hex nut M6	
4	1	4007.0600	cable connection PG9	
5	1	4007.0601	lock nut for cable connection PG9	
6	1	2022.0100	gasket	
7	1	3014.0310	bi-limit safety thermostat	F2
8	1	2520.400212	holder for thermostat	
9	4	1004.0060	slotted pan head screw	
10	1	3014.0312	thermostat	P1
			quenching system	
11	1	4001.1203	end plate	
12	7	4001.1177	multi connector	
13	4	4001.1176	multi connector	
14	1	4001.1233	terminal block yellow/green 35 mm ²	
15	1	4001.1253	terminal block blue 70 mm ²	
16	3	4001.1229	terminal block grey 70 mm ²	
17	4	4001.1231	cover	
18	2	1106.0801	combi-nut	
19	1	2510.180152	bracket	
20	1	4007.0602	cable connection PG36	
21	1	4007.0603	lock nut PG36	
22	1	4006.0410	tension release	

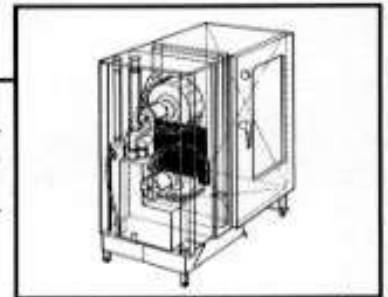


Electrical Installation

Component Group	Page	Edition	applicable from Serial No.
2	2.2	2.2.3	20M 89 04 1049

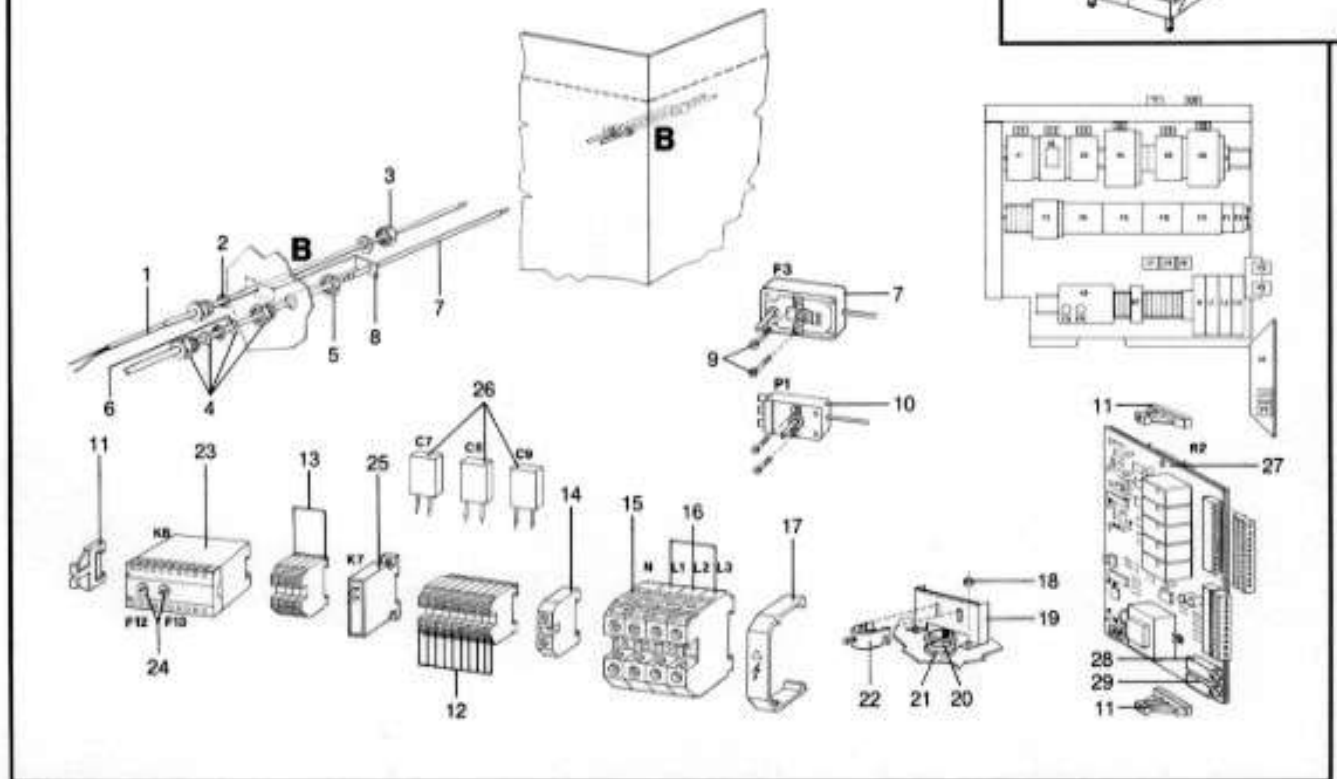


Pos.	Pcs.	Sp. Part No.	Description	Sign
1	1	3014.0151	sensor interior cabinet	B1
2	1	1315.0101	copper washer	
3	1	1106.0160	hex nut M6	
4	1	4007.0600	cable connection PG 9	
5	1	4007.0601	lock nut for cable connection PG 9	
6	1	2022.0100	gasket	
7	1	3014.0310	bi-limit safety thermostat	F2
8	1	2520.400212	holder for thermostat	
9	4	1004.0060	slotted pan head screw	
10	1	3014.0312	thermostat	P1
			quenching system	
11	1	4001.1203	end plate	
12	7	4001.1177	multi connector	
13	4	4001.1176	multi connector	
14	1	4001.1233	terminal block yellow/green 35 mm ²	
15	1	4001.1253	terminal block blue 70 mm ²	
16	3	4001.1229	terminal block grey 70 mm ²	
17	4	4001.1231	cover	
18	2	1106.0801	combi-nut	
19	1	2510.180152	bracket	
20	1	4007.0602	cable connection PG 36	
21	1	4007.0603	lock nut PG 36	
22	1	4006.0410	tension release	

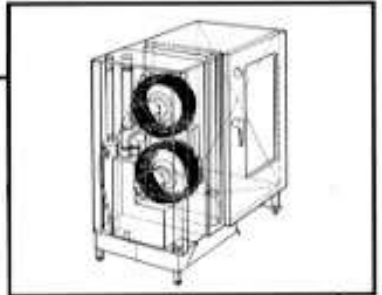


Electrical Installation

Component Group	Page	Edition	applicable from Serial No.
2	2.2	2.2.4	20M 8910 4001

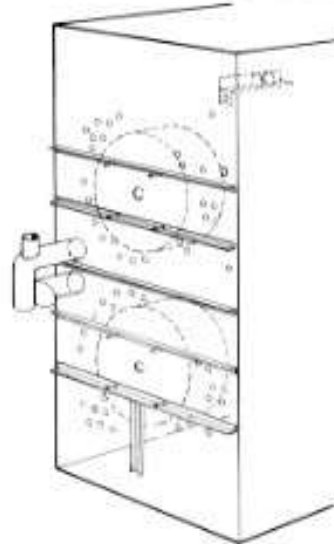
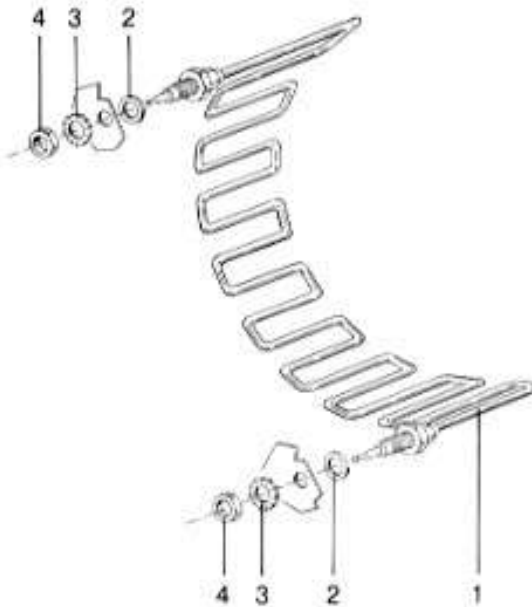


Pos.	Pcs.	Sp.	Part No.	Description	Sign	Pos.	Pcs.	Sp.	Part No.	Description	Sign
1	1		3014.0151	sensor interior cabinet	B1	27	1		3002.0400	level control pcb	A2
2	1		1315.0101	copper washer		28	1		3019.0130	fuse 0,315 A	F6
3	1		1106.0160	hex nut M6		29	1		3019.0110	fuse 0,1 A	F7
4	1		4007.0600	cable connection PG9							
5	1		4007.0601	lock nut for cable connection PG9							
6	1		2022.0100	gasket							
7	1		3014.0310	bi-limit safety thermostat	F3						
8	1		2520.400212	holder for thermostat							
9	4		1004.0060	slotted pan head screw							
10	1		3014.0312	thermostat	P1						
				quenching system							
11	3		4001.1203	end plate							
12	9		4001.1177	multi connector							
13	4		4001.1176	multi connector							
14	1		4001.1233	terminal block yellow/green 35 mm ²							
15	1		4001.1253	terminal block blue 70 mm ²							
16	3		4001.1229	terminal block grey 70 mm ²							
17	4		4001.1231	cover							
18	2		1106.0801	hex-combi-nut M6							
19	1		2510.180152	bracket							
20	1		4007.0602	cable connection PG36							
21	1		4007.0603	lock nut PG36							
22	1		4006.0410	tension release							
23	1		3031.0201	electronic motor brake	K8						
24	2		3019.0300	Feinsicherung 10 A	F12, F13						
25	1		3035.0404	time relay 1 sec. start delay	K7						
26	3		3035.0508	RC-link	C7-C9						

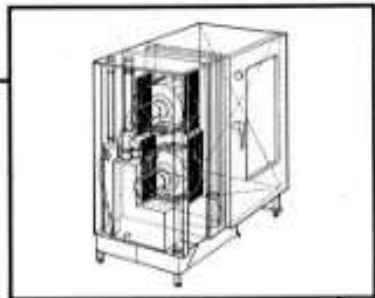


Hot Air Heating

Component Group	Page	Edition	applicable from Serial No.
5	5.1	5.1.1	20M 87 09 1001

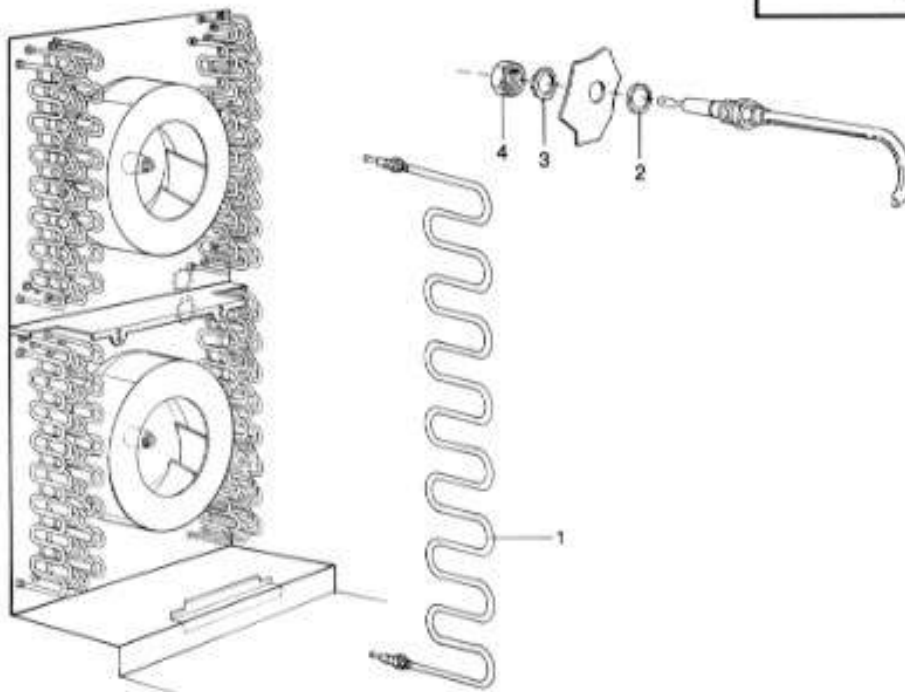


Pos.	Pcs.	Sp.	Part No.	Description	Sign
1	24		3004.1004	heating element 2,5 KW	
2	48		3004.1404	copper washer	
3	48		3004.1405	toothed lock washer	
4	48		3004.1406	hex nut M14	



Hot Air Heating

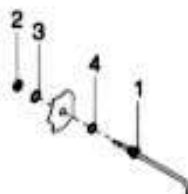
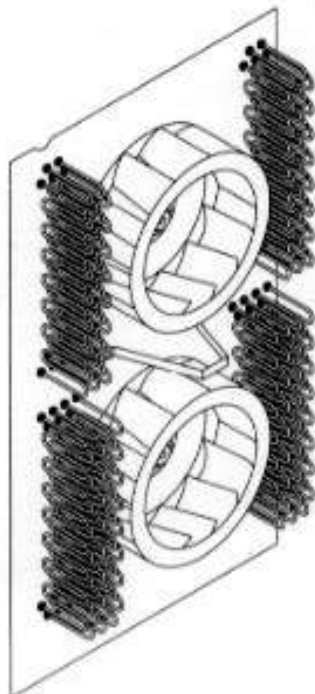
Component Group	Page	Edition	applicable from Serial No.:
5	5.1	5.1.2	20M 88 06 1066



Pos.	Pcs.	Sp.	Part No.	Description	Sign
1	24		3004.1004	heating element 2,5 KW	
2	48		3004.1404	copper washer	
3	48		3004.1405	toothed lock washer	
4	48		3004.1406	hex nut M14	

Hot Air Heating

Voltage	Group	Page	Edition	Application from Serial. No.
3 N AC 380V 50Hz	5	5.1	5.1.3	20M91042001

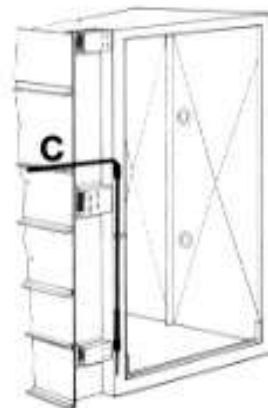
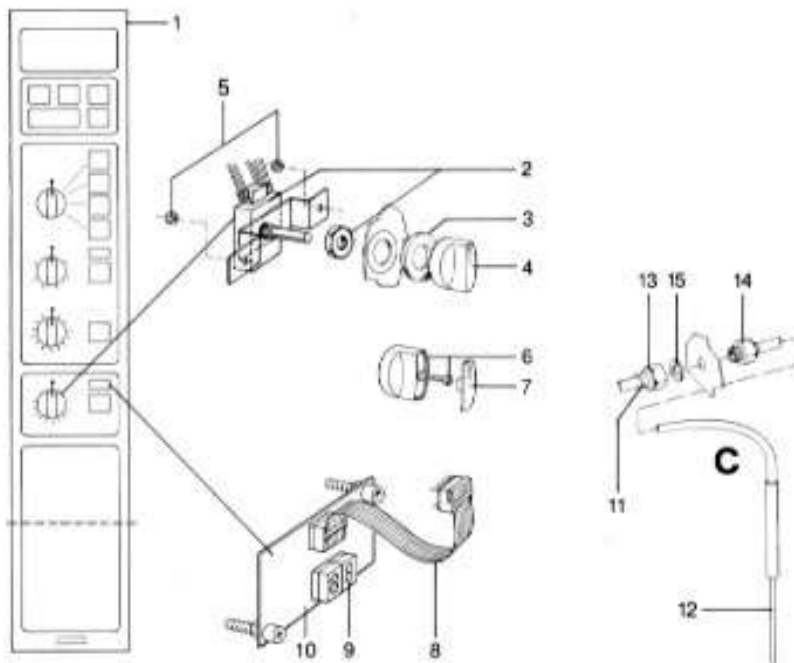


Pos.	Pcs.	Sp.	Part No.	Description	Sign.
1	24		3004.4301	heating element 2,5KW	
2	48		3004.1404	copper washer	
3	48		3004.1405	toothed lock washer	
4	48		3004.1406	hex nut M14	



Core Temperature / Meat Probe

Component Group	Page	Edition	applicable from Serial No.
3	3.1	3.1.1	20M 87 09 1001

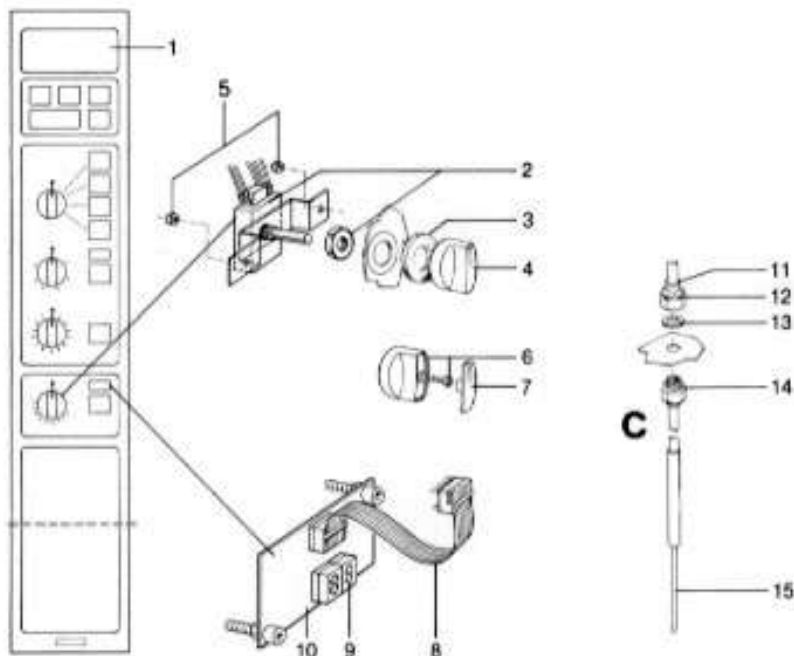


Pos.	Pcs.	Sp.	Part No.	Description	Sign
1	1		2049.0613	control panel	
2	1		3040.0151	poti for core temp.	S4,R2
3	1		5012.0530	gasket	
4	1		3013.0329	dial complete	
5	1		1106.0801	hex combi nut M6	
6	1		3013.0326	dial	
7	1		3013.0328	dial-cover	
8	1		3040.0161	flat cable	
9	2		3040.0170	LED-display	
10	1		3040.0152	PCB - core temperature (pos 8,9,10)	
11	1		2066.0508	hose clamp	
12	1		3035.0608	meat probe sensor	B4
13	1		3014.0306	hex nut for stuffing box	
14	1		3014.0307	stuffing box	
15	1		3035.0606	copper washer	



Core Temperature / Meat Probe

Component Group	Page	Edition	applicable from Serial No.
3	3.1	3.1.2	20M 88 06 1066

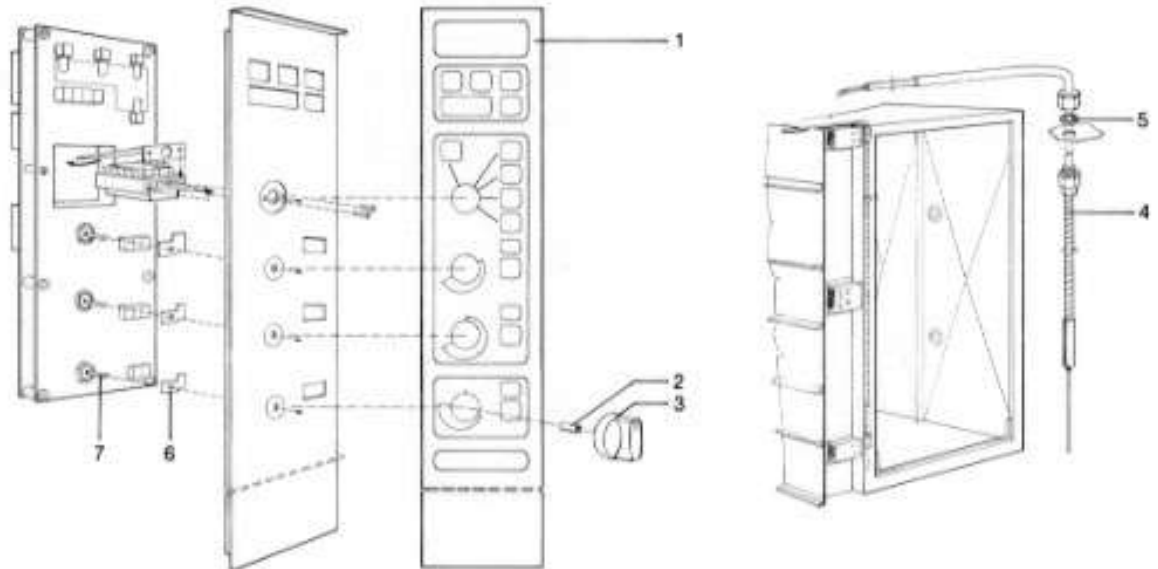


Pos.	Pcs.	Sp.	Part No.	Description	Sign
1	1		2049.0613	control panel	
2	1		3040.0151	poti for core temp.	S4,R2
3	1		5012.0530	gasket	
4	1		3013.0329	dial complete	
5	2		1106.0801	hex combi nut	
6	1		3013.0326	dial	
7	1		3013.0328	dial-cover	
8	1		3040.0161	flat cable	
9	2		3040.0170	LED-display	
10	1		3040.0152	PCB – core temperature (pos 8,9,10)	
11	1		2066.0508	hose clamp	
12	1		3014.0306	hex nut for stuffing box	
13	1		3035.0606	copper washer	
14	1		3014.0307	stuffing box	
15	1		3035.0608	meat probe sensor	B4



Core Temperature / Meat Probe

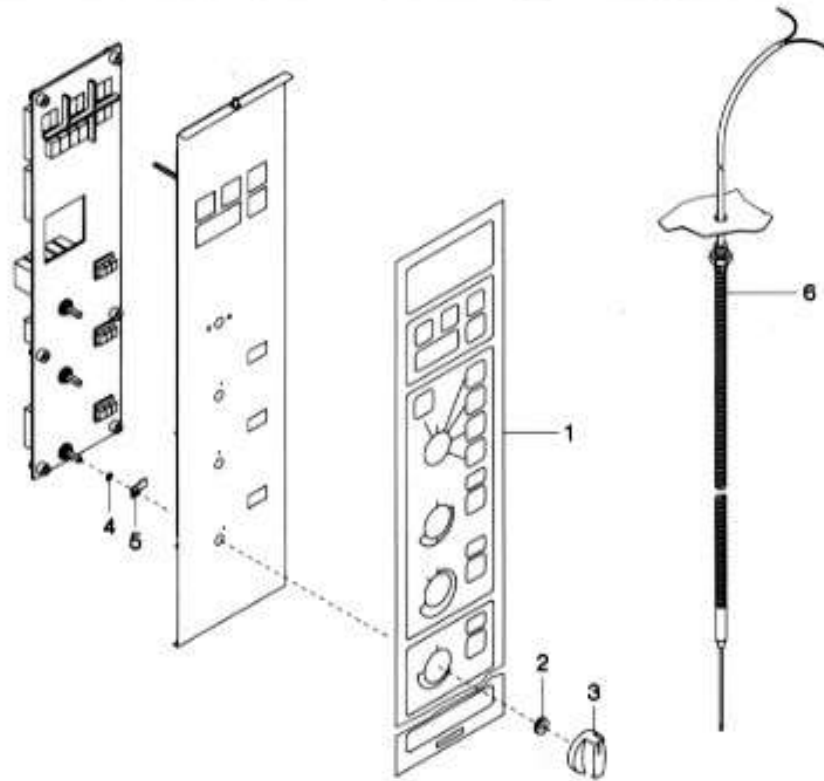
Component Group	Page	Edition	applicable from Serial No.
3	3.1	3.1.3	20M 89 04 1049



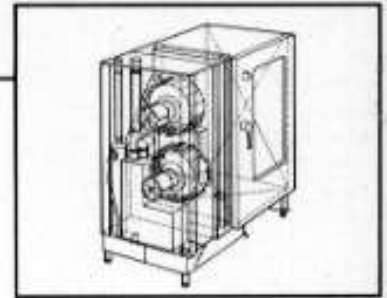
Pos.	Pcs.	Sp. Part No.	Description	Sign
1	1	2049.0715	control panel	
2	1	2022.0104	bushing	
3	1	3013.0331	dial	
4	1	3035.0608	meat probe sensor	B4
5	1	3035.0606	copper washer	
6	1	2510.520731	stop for poti core temp./timer	
7	1	3040.0183	poti for core temp.	Koch
7	1	3040.0190	poti plug core temp.	Koch
7	1	3040.0186	poti for core temp.	EGO

Core Temperature / Meat Probe

Voltage	Group	Page	Edition	Application from Serial. No.
3 N AC 380V 50Hz	3	3.1	3.1.4	20M91042001



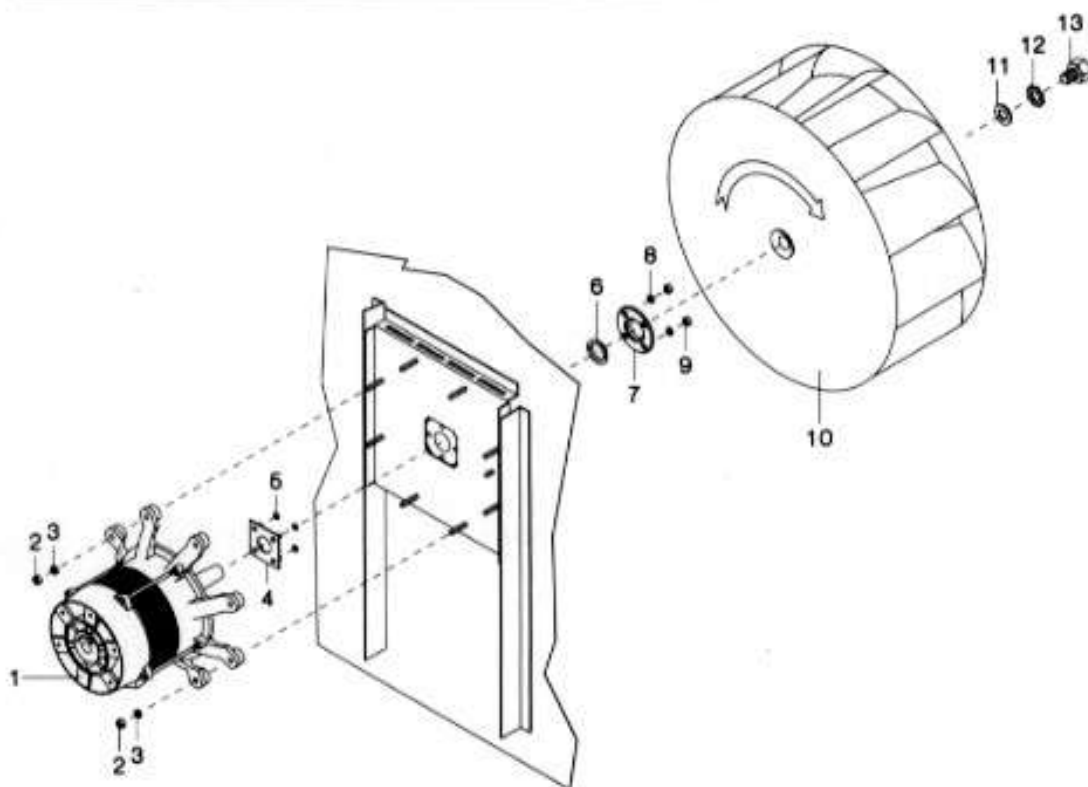
Pos.	Pcs.	Sp. Part No.	Description	Sign.
1	1	2049.0823	control panel	
2	1	2022.0104	grommet	
3	1	3013.0330	dial	
4	1	1315.0101	copper washer	
5	1	2510.520731	stop for poti	
6	1	3035.0608	core temperature sensor core temperature	E1

**Miscellaneous**

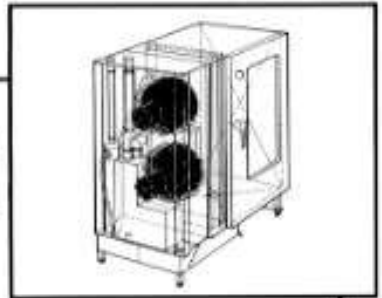
Pos.	Pcs.	Sp. Part No.	Description	Sign
1	1	XXXX.XXXX	interior wiring	indicate order with serial nr. of unit (wiring harness)
2	100	4002.0100	cablе shoes 2,5 x 6,3	
3	100m	8801.1000	silicone wire, coloured 1,5 mm ² , (indicate colour)	
4	10m	4015.0202	fibre glass, black 1,5 mm ²	
5	10m	4015.0201	fibre glass, blue 1,5 mm ²	
6		9009.1000	high heat paste (tube)	
7		5006.0200	silicone (tube)	
8	2	2005.0401	castor without brake for transport trolley	
9	2	2005.0402	castor with brake for transport trolley	
10	1	8400.3012	handle for roll-in trolley	
11		1603.0164	pop rivet 3,2 x 10	
12		1004.2160	hex head tapping screw B 4,2 complete with washer V 2 A	
13		1104.0821	clamp V 2 A	
14		2001.0040	loctite, heat resistant 10 ml	
15		9006.0850	stainless steel cleaner paste	
16		1605.0101	rivet for cable shaft	

Motor and Fan Wheel

Voltage	Group	Page	Edition	Application from Serial. No.
3 N AC 380V 50Hz	6	6.1	6.1.3	20M91042001

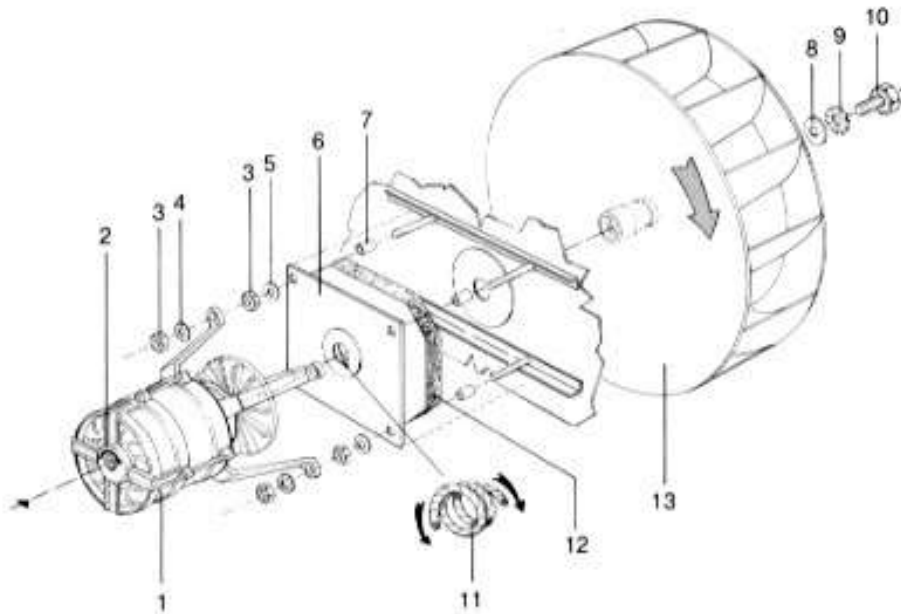


Pos.	Pcs.	Sp. Part No.	Description	Sign.
1	2	3001.0428	motor	M1,M1.1
2	16	1106.0160	hex nut M6	
3	16	1206.0120	toothed lock washer A6,4	
4	2	8506.0103	holder plate	
5	8	1315.0101	copper washer	
6	2	5001.0211	motor gasket	
7	2	2016.0875	gasket flange	
8	8	1306.0120	washer A6,4	
9	8	1106.0220	hex nut M6 flat	
10	2	2012.0510	fan wheel	
11	2	1308.0123	washer A17	
12	2	1217.0160	toothed lock washer A16,5	
13	2	1016.0700	hex screw M16x20	

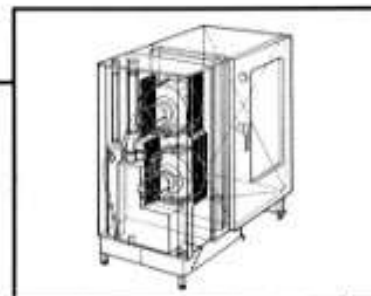


Motor and Fan Wheel

Component Group	Page	Edition	applicable from Serial No.
6	6.1	6.1.1	20M 87 09 1001

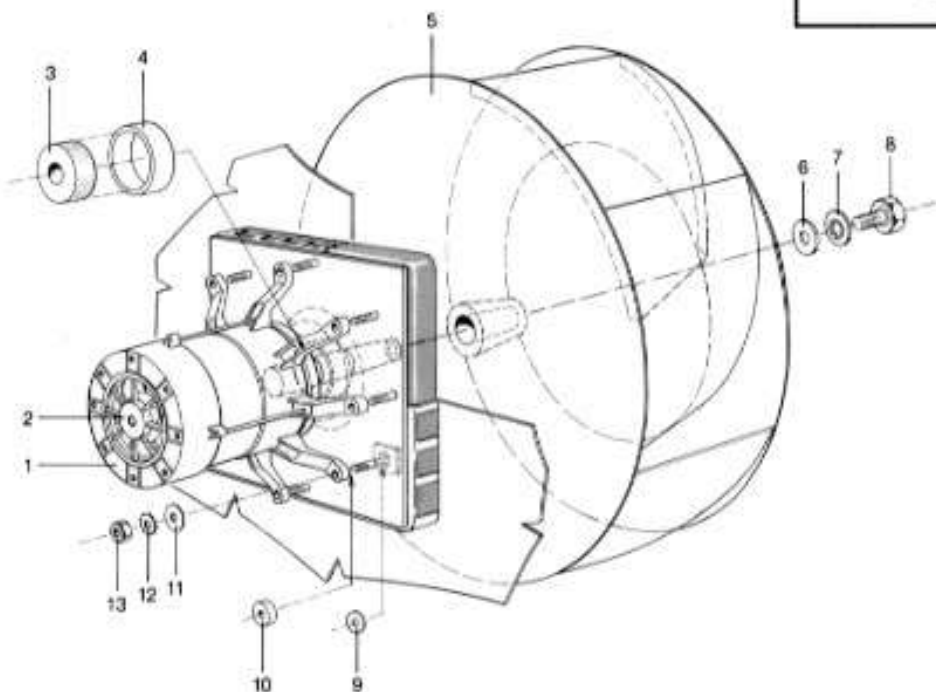


Pos.	Pcs.	Sp.	Part No.	Description	Sign
1	2		3001.0400	motor	
2	2		4019.0012	label direction of fan rotation	
3	16		1108.0260	hex nut M8	
4	16		1208.0160	toothed lock washer A 8,4	
5	8		1308.0561	washer 9 mm	
6	2		8006.8008	motor shaft packing complete	
7	8		2016.0848	spacer	
8	2		1310.0160	washer A 10,5	
9	2		1210.0160	toothed lock washer A 10,5	
10	2		1010.0760	hex screw M 10x16	
11	2		5002.0301	rope packing, greased	
12	2		5009.0101	insulation plate 200x205x20 mm	
13	2		2012.0500	fan wheel complete (with pos. 8 - 10)	

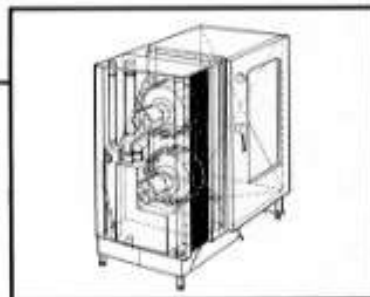


Motor and Fan Wheel

Component Group	Page	Edition	applicable from Serial No.
6	6.1	6.1.2	20M 88 06 1066

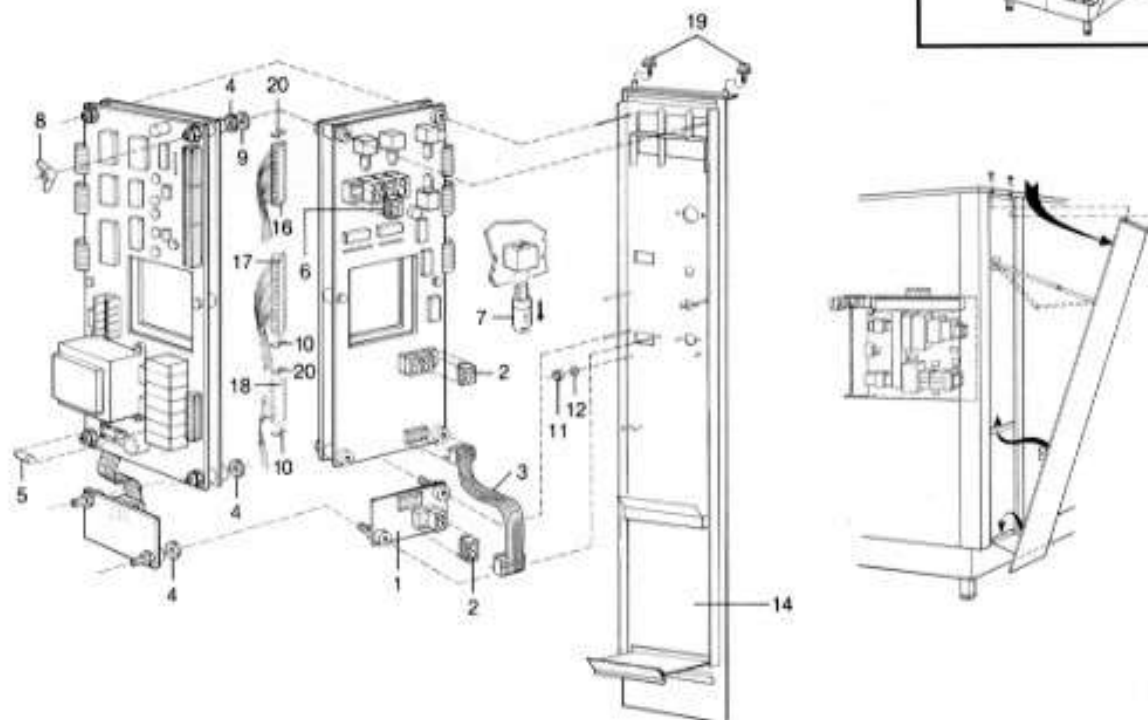


Pos.	Pcs.	Sp.	Part No.	Description	Sign
1	2		3001.0419	motor	from 20M89011030: 3001.0405
2	2		4019.0012	label direction of fan rotation	
3	2		2016.0856	teflon socket	from 20M89011030: 2016.0852
4	2		2016.0853	holding ring	
5	2		2012.0510	fan wheel complete (with pos. 6-8)	
6	2		1308.0123	washer A 17	
7	2		1217.0159	toothed lock washer I 16,5	
8	2		1016.0700	hex screw M 16x20	
9	16		1308.0561	washer 9 mm	
10	16		2016.0855	spacer	
11	16		1306.0221	washer A 6,4	
12	16		1206.0120	toothed lock washer A 6,4	
13	16		1106.0160	hex nut M6	

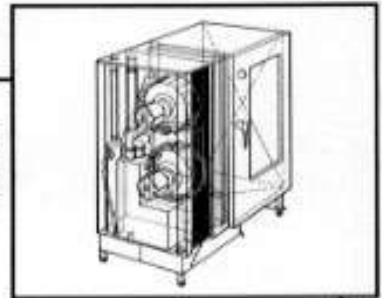


Control Panel

Component Group	Page	Edition	applicable from Serial No.
1	1.2	1.2.1	20M 87 09 1001

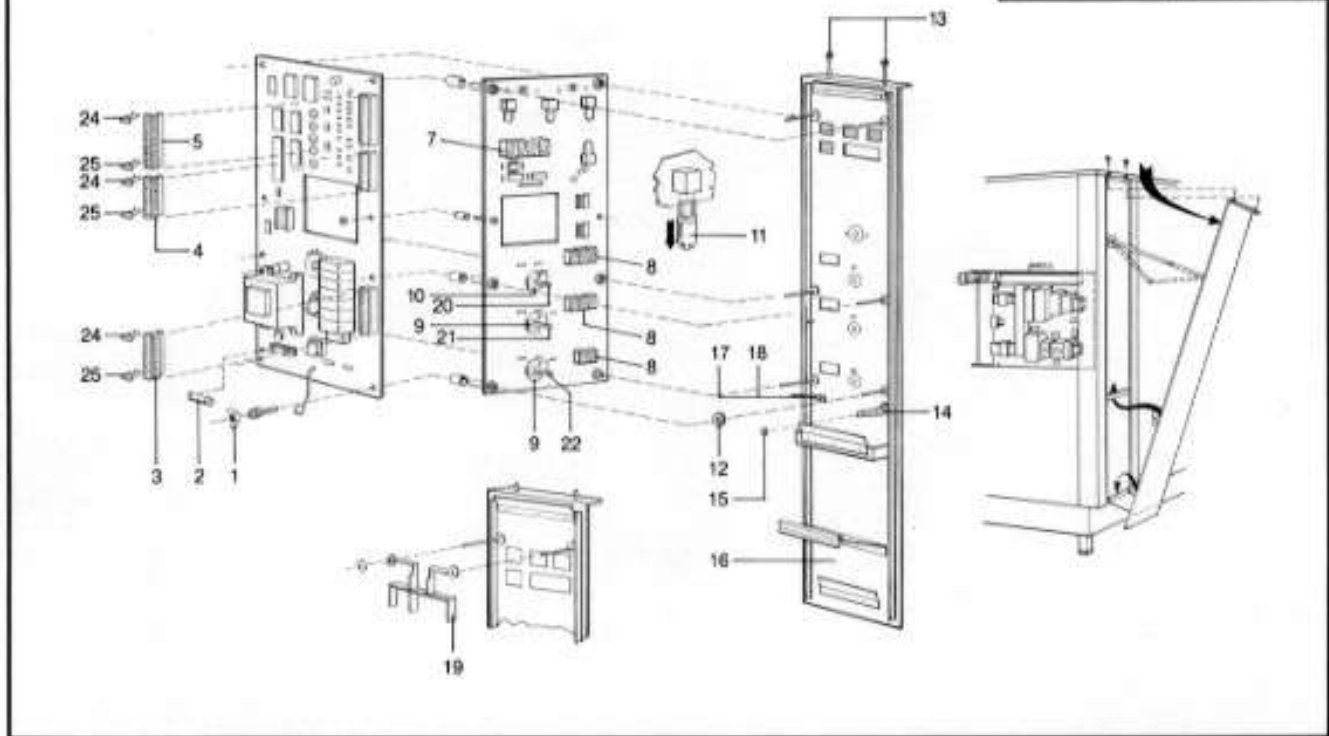


Pos.	Pcs.	Sp.	Part No.	Description	Sign
-	1		3040.0100	PCB – complete (pos 1 – 7)	
1	1		3040.0152	PCB – core temperature (pos 2, 3, 4)	
2	5		3040.0170	LED-display	
3	1		3040.0161	flat cable	
4	6		3040.0180	gasket	
5	1		3019.0111	fuse 0,25 A	F4
6	4		3040.0171	LED-display	
7	4		3024.0210	bulb	
8	6		1104.0500	wing nut M4	
9	2		2022.0100	gasket	
10	2		3040.0164	clip for multipoint connector right	
11	2		1106.0160	hex nut M6	
12	1		1206.0120	toothed lock washer A 6,4	
14	1		8600.0102	front panel	
16	1		3040.0162	multipoint connector BL 13	
17	1		3040.0163	multipoint connector BL 14	
18	1		3040.0160	multipoint connector BL 9	
19	2		1005.2000	safety screw	
20	2		3040.0191	clip for multipoint connector left	



Control Panel

Component Group	Page	Edition	applicable from Serial No.
1	1.2	1.2.2	20M 89 04 1049

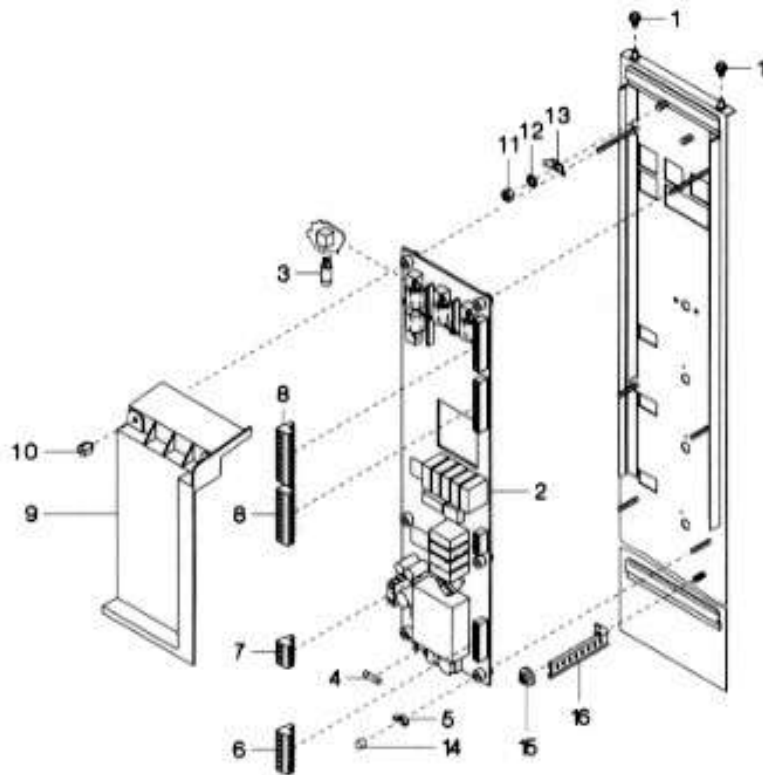


Pos.	Pcs.	Sp. Part No.	Description	Sign
-	1	3040.0110	PCB – complete (pos. 1 – 8)	
	1	6	wing nut M4	
	2	1	fuse 0,25 A	
	3	1	multipoint connector BL9	
	4	1	multipoint connector BL8	
	5	1	multipoint connector BL11	
	7	4	LED-display	
	8	8	LED-display	
	9	2	stop for poti core temp./timer	
	10	1	stop for hot air	
	11	4	bulb	
	12	6	gasket	
	13	2	safety screw	
	14	1	cable clamp	
	15	1	hex combi nut M5	
	16	1	8600.01020489 front panel	
	17	2	hex nut M6	
	18	1	toothed lock washer	
	19	1	plastic lamp dome	
	20	1	poti for hot air	Koch
	21	1	poti for timer	Koch
	22	1	poti for core temp.	Koch
	20	1	poti plug hot air	Koch
	21	1	poti plug timer	Koch
	22	1	poti plug core temp.	Koch
	20	1	poti for hot air	EGO
	21	1	poti for timer	EGO
	22	1	poti for core temp.	EGO
	24	3	clip for multipoint connector left	
	25	3	clip for multipoint	

connector right

Control Panel

Voltage	Group	Page	Edition	Application from Serial. No.
3 N AC 380V 50Hz	1	1.2	1.2.3	20M91042001



Pos.	Pcs.	Sp.	Part No.	Description	Sign.
1	2		1002.2000	safety screw M5x8	
2	1		3040.2030	PCB complete	
3	4		3024.0210	bulb	
4	1		3019.0116	fuse 0,125A	F6
5	6		1104.0500	wing-nut M4	
6	1		3040.0160	multipoint connector BL9	
7	1		3040.0195	multipoint connector BL5	
8	2		3040.0199	multipoint connector BL12	
9	1		2039.0317	cover for pcb	
10	1		1116.0101	sleeve nut	
11	1		1106.0160	hex nut M6	
12	1		1206.0120	toothed lock washer A6,4	
13	1		4002.0110	cable shoe junction	
14	1		1409.0100	spacer	
15	1		1005.0122	hex-combi-nut M5	
16	1		2020.0401	cable assy holder	